

M8

0805F1 ... 0...

## Cordsets M8



Actuator/sensor cordset with overmolded connector

**Cable end 1:**

M8 female, angled, with snap joint, A-coded, IP65

**Cable end 2:**

blunt cut

**Cable:**

PVC, black

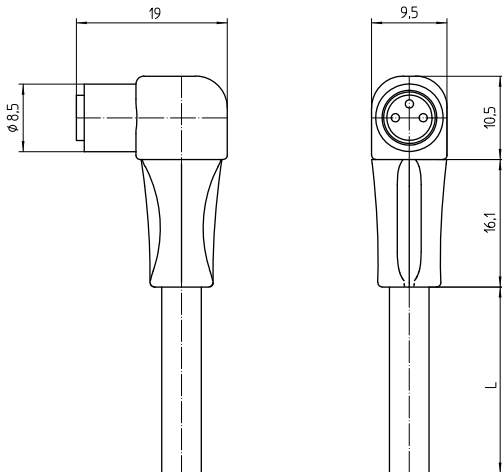
---

Approvals:

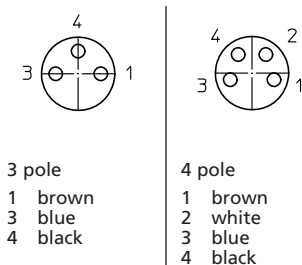


M8

0805F1 ... 0...



Pin assignments for female M8 connectors, A-coded, front view



### Environmental conditions

Temperature range -25 °C/+80 °C

### Materials

Insulating body	TPU GF, HB according to UL94
Contact bush	CuZn, pre-nickel and gold-plated
Overmolding/handle	PVC, HB according to UL94

### Mechanical data

Mating cycles	≥ 100
Insertion force	≤ 23 N <sup>1</sup>
Withdrawal force	≤ 23 N <sup>1</sup>
Protection class	IP65 <sup>2</sup>

<sup>1</sup> measured with a proper counterpart

<sup>2</sup> according to IEC DIN EN 60529, only in mated condition with an appropriate counterpart

### Connected cable

Construction	PVC, black
Outer jacket	PVC, black

### Electrical data (at T<sub>amb</sub> 20 °C)

Contact resistance	≤ 10 mΩ
Rated current	4 A (T <sub>amb</sub> 40 °C)
Rated voltage	48 V AC/60 V DC (with pollution degree 3)
Rated impulse voltage	1,5 kV
Material group	I (IEC)/0 (UL) (CTI = 600)
Insulation resistance	> 100 MΩ

### Associated products

#### Counterparts

☞ 0810 ... 0...	☞ 0810 ... 3...	☞ 0810 0800 ... 0...
☞ 0810 0800 ... 3...	☞ 0810 0800 ... 3... sp	☞ 0810 0805 ... 3...
☞ 0810 0806 ... L1 3...	☞ 0815 ... 0...	☞ 0815 ... 3...
☞ 0815 0805 ... 3...	☞ 0815 0805 ... 3... sp	☞ 0830 ... T8CW ...
☞ 0831 ... T10CP	☞ 0831 ... T8CW ...	☞ 0832 ...S9 T8CP
☞ 6157 8055 S01 4W	☞ 6157 8055 S03 8W	☞ 6157 8055 S06 16W
☞ 6157 8055 S09 24W		

M8

0805F1 ... 0...

Designation	Pole Number	Connected Cable	PU (Pieces)	MDQ (Pieces)	Dimensions L (mm)
0805F1 04 002 2m	4	PVC, black, 4 x 0.34 mm <sup>2</sup> (AWG 22), 910002, UL-style 2464	5	10	2000
0805F1 04 002 5m	4	PVC, black, 4 x 0.34 mm <sup>2</sup> (AWG 22), 910002, UL-style 2464	1	10	5000
0805F1 04 002 10m	4	PVC, black, 4 x 0.34 mm <sup>2</sup> (AWG 22), 910002, UL-style 2464	1	10	10000

**Packaging:**  
in a plastic bag