

M8

0815 0805 ... 3...

## Cordsets M8



Actuator/sensor cordset with overmolded connectors

**Cable end 1:**

M8 male, angled, A-coded, IP67

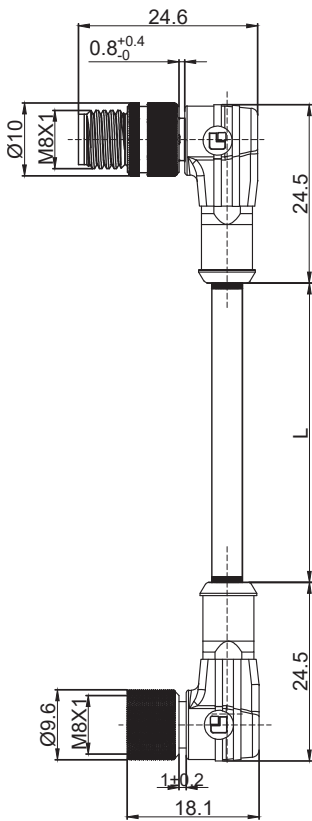
**Cable end 2:**

M8 female, angled, A-coded, IP67

**Cable:**

PUR, black

**M8** 0815 0805 ... 3...



**Environmental conditions**

Temperature range -25 °C/+80 °C

**Materials**

Insulating body	TPU GF, HB according to UL94
Contact bush	CuZn, pre-nickel and gold-plated
Contact pin	CuZn, pre-nickel and gold-plated
Overmolding/handle	TPU <sup>1</sup>
Knurled screw	CuZn, nickel-plated
Knurled nut	CuZn, nickel-plated
Seal	FKM

<sup>1</sup> material halogen-free

**Mechanical data**

Mating cycles	≥ 100
Insertion force	≤ 23 N <sup>1</sup>
Withdrawal force	≤ 23 N <sup>1</sup>
Protection class	IP67 <sup>2</sup>

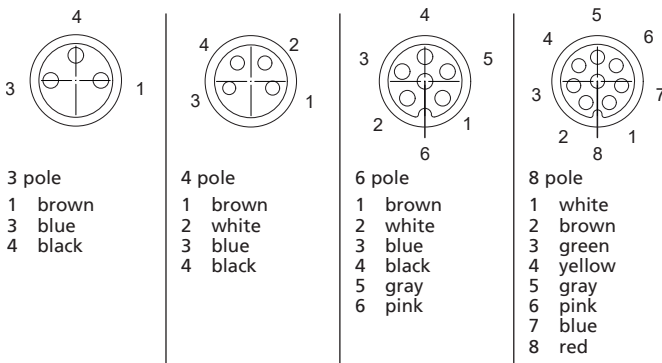
<sup>1</sup> gemessen mit einem passenden Gegenstück

<sup>2</sup> according to IEC DIN EN 60529, only in locked condition with an appropriate counterpart

**Connected cable**

Outer jacket PUR, black

**Pin assignments for female M8 connectors, A-coded, front view**



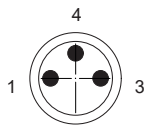
**Electrical data (at T<sub>amb</sub> 20 °C)**

Contact resistance	≤ 10 mΩ
Rated current	4 A (3-4 poles) 1.5 A (6-8 poles) (T <sub>amb</sub> 40 °C)
Rated voltage	50 V AC/60 V DC (3-4 poles) 32 V AC/DC (6-8 poles) (with pollution degree 3)
Rated impulse voltage	1.5 kV (3-4 poles) 0.8 kV (6-8 poles)
Material group	I (IEC)/0 (UL) (CTI = 600)
Overvoltage category	III
Insulation resistance	> 100 MΩ

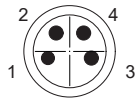
M8

0815 0805 ... 3...

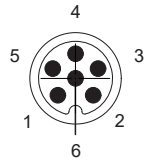
Pin assignments for male M8 connectors, A-coded, front view



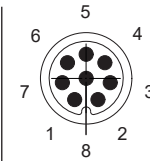
- 3 pole  
1 brown  
3 blue  
4 black



- 4 pole  
1 brown  
2 white  
3 blue  
4 black



- 6 pole  
1 brown  
2 white  
3 blue  
4 black  
5 gray  
6 pink



- 8 pole  
1 white  
2 brown  
3 green  
4 yellow  
5 gray  
6 pink  
7 blue  
8 red

Associated products

Counterparts

- |                                    |                                       |                                   |
|------------------------------------|---------------------------------------|-----------------------------------|
| <a href="#">0800 ... 0...</a>      | <a href="#">0800 ... 3...</a>         | <a href="#">0800F1 ... 0...</a>   |
| <a href="#">0800F1 ... 3...</a>    | <a href="#">0805 ... 0...</a>         | <a href="#">0805 ... 3...</a>     |
| <a href="#">0805F1 ... 0...</a>    | <a href="#">0806 ... L1 0...</a>      | <a href="#">0806 ... L1 3...</a>  |
| <a href="#">0820 ... T8CW ...</a>  | <a href="#">0821 ... T10CP</a>        | <a href="#">0822 ...S9 T8CP</a>   |
| <a href="#">1210 0800 ... 3...</a> | <a href="#">1210 0806 ... L1 3...</a> | <a href="#">5000 04L1 3...</a>    |
| <a href="#">5000 08L1 3...</a>     | <a href="#">5000 10L1 3...</a>        | <a href="#">5000 12L1 3...</a>    |
| <a href="#">5012 04L1</a>          | <a href="#">5012 08L1</a>             | <a href="#">5012 10L1</a>         |
| <a href="#">6157 8055 S01 4W</a>   | <a href="#">6157 8055 S03 8W</a>      | <a href="#">6157 8055 S06 16W</a> |
| <a href="#">6157 8055 S09 24W</a>  |                                       |                                   |

Accessories

- |                           |                           |
|---------------------------|---------------------------|
| <a href="#">9908 CPF0</a> | <a href="#">9908 CPM0</a> |
|---------------------------|---------------------------|

M8

0815 0805 ... 3...

Designation	Pole Number	Connected Cable	PU (Pieces)	MDQ (Pieces)	Dimensions		
					L1 (mm)	L2 (mm)	L3 (mm)
0815 0805 04 301 0,5m	4	PUR, black, 4 x 0,34 mm <sup>2</sup> (AWG 22), 910301, UL-style 20549	5	10	-	-	-
0815 0805 04 301 1m	4	PUR, black, 4 x 0,34 mm <sup>2</sup> (AWG 22), 910301, UL-style 20549	5	10	-	-	-
0815 0805 06 337 0,3m	6	PUR, black, 6 x 0,25 mm <sup>2</sup> (AWG 24), 910337, UL-style 20549	5	10	100	100	100
0815 0805 08 331 0,3m	8	PUR, black, 8 x 0,14 mm <sup>2</sup> (AWG 26), 910339, UL-style 20549	5	10	100	100	100

**Packaging:**  
in a plastic bag