

M8

0815 ... 3...

Cordsets M8



Actuator/sensor cordset with overmolded connector

Cable end 1:

M8 male, angled, A-coded, IP67

Cable end 2:

blunt cut

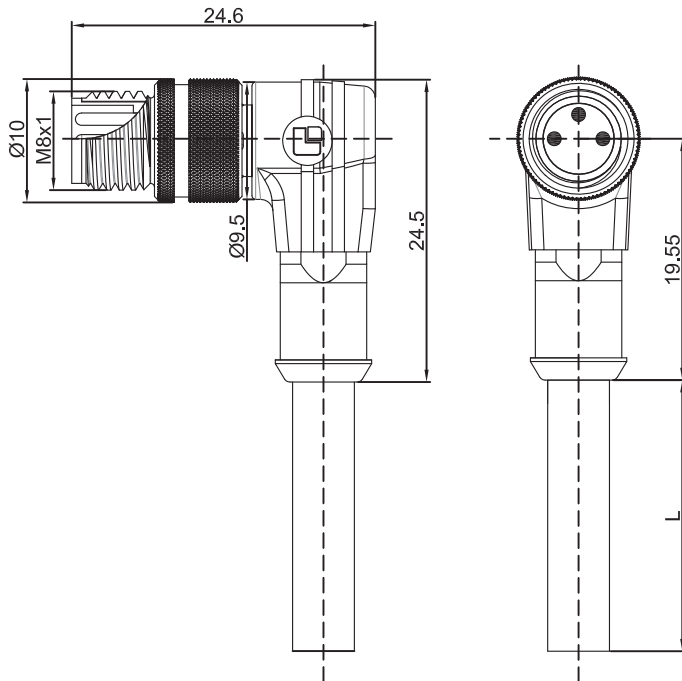
Cable:

PUR, black

Approvals:



M8 **0815 ... 3...**



Environmental conditions

Temperature range -25 °C/+80 °C

Materials

Insulating body	TPU GF, HB according to UL94
Contact pin	CuZn, pre-nickel and gold-plated
Overmolding/handle	TPU, HB according to UL94
Knurled screw	CuZn, nickel-plated

Mechanical data

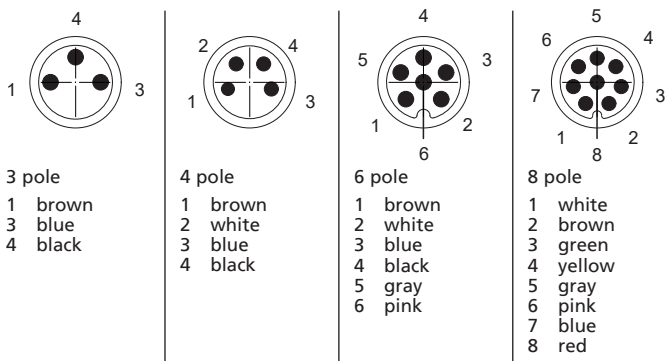
Mating cycles	≥ 100
Insertion force	≤ 23 N ¹
Withdrawal force	≤ 23 N ¹
Protection class	IP67 ²

¹ measured with a proper counterpart
² according to IEC DIN EN 60529, only in locked condition with an appropriate counterpart

Connected cable

Outer jacket PUR, schwarz

Pin assignment for male M12 connectors, A-coded, front view



Electrical data (at T_{amb} 20 °C)

Contact resistance	≤ 10 mΩ
Rated current	4 A (3-4 poles) 1.5 A (6-8 poles) (T _{amb} 40 °C)
Rated voltage	48 V AC/60 V DC (3-4 poles) 32 V AC/DC (6-8 poles) (with pollution degree 3)
Rated impulse voltage	1.5 kV (3-4 poles) 0.8 kV (6-8 poles)
Material group	I (IEC)/0 (UL) (CTI = 600)
Overvoltage category	III
Insulation resistance	> 100 MΩ

Associated products

- | | | |
|-------------------------|--------------------|----------------------|
| Counterparts | | |
| ☞ 0800 ... 0... | ☞ 0800 ... 3... | ☞ 0800F1 ... 0... |
| ☞ 0800F1 ... 3... | ☞ 0805 ... 0... | ☞ 0805F1 ... 0... |
| ☞ 0806 ... L1 0... | ☞ 0806 ... L1 3... | ☞ 0820 ... T8CW ... |
| ☞ 0821 ... T10CP | ☞ 0822 ... S9 T8CP | ☞ 1210 0800 ... 3... |
| ☞ 1210 0806 ... L1 3... | ☞ 5000 04L1 3... | ☞ 5000 08L1 3... |
| ☞ 5000 10L1 3... | ☞ 5000 12L1 3... | ☞ 5012 02 MFF |

M8

0815 ... 3...

[5012 04L1](#)

[5012 08L1](#)

[5012 10L1](#)

Accessories

[9908 CPM0](#)

M8

0815 ... 3...

Designation	Pole Number	Connected Cable	PU (Pieces)	MDQ (Pieces)	Dimensions
					L (mm)
0815 03 300 2m	3	PUR, black, 3 x 0.34 mm ² (AWG 22), 910300, UL-style 20549	5	10	2000
0815 03 300 5m	3	PUR, black, 3 x 0.34 mm ² (AWG 22), 910300, UL-style 20549	1	10	5000
0815 04 301 2m	4	PUR, black, 4 x 0.34 mm ² (AWG 22), 910301, UL-style 20549	5	10	2000
0815 04 301 5m	4	PUR, black, 4 x 0.34 mm ² (AWG 22), 910301, UL-style 20549	1	10	5000
0815 06 337 1m	6	PUR, black, 6 x 0.25 mm ² (AWG 24), 910337, UL-style 20549	5	10	1000
0815 06 337 2m	6	PUR, black, 6 x 0.25 mm ² (AWG 24), 910337, UL-style 20549	5	10	2000
0815 06 337 5m	6	PUR, black, 6 x 0.25 mm ² (AWG 24), 910337, UL-style 20549	1	10	5000
0815 08 331 1m	8	PUR, black, 8 x 0.14 mm ² (AWG 26), 910331, UL-style 20549	5	10	1000
0815 08 331 2m	8	PUR, black, 8 x 0.14 mm ² (AWG 26), 910331, UL-style 20549	5	10	2000
0815 08 331 5m	8	PUR, black, 8 x 0.14 mm ² (AWG 26), 910331, UL-style 20549	1	10	5000

Packaging:
in a plastic bag