

M8

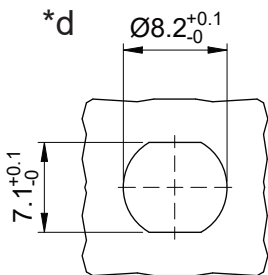
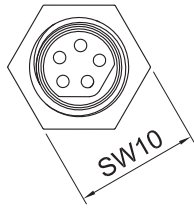
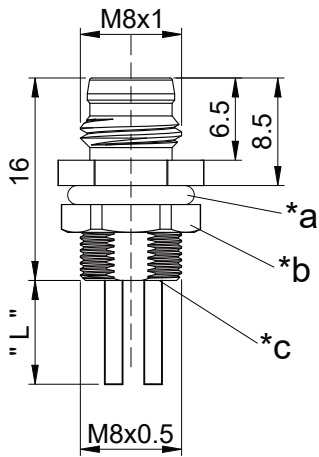
0830 ...B T8CW ...

## Panel Mount Connectors M8



M8 panel mount connector, male, B-coded, IP67, for front mounting, thread M8, with nut and stranded wires

**M8 0830 ...B T8CW ...**



**Environmental conditions**

Temperature range -25 °C/+80 °C

**Materials**

Insulating body	PA
Contact pin	CuZn, pre-nickel and gold-plated
Housing	CuZn, nickel-plated
Hexagonal nut	CuZn, nickel-plated
Seal	FKM

**Mechanical data**

Mating cycles	≥ 100
Insertion force	≤ 23 N <sup>1</sup>
Withdrawal force	≤ 23 N <sup>1</sup>
Protection class	IP67 <sup>2</sup>


<sup>1</sup> measured with a proper counterpart

<sup>2</sup> according to IEC DIN EN 60529, only in locked condition with an appropriate counterpart

**Electrical data (at T<sub>amb</sub> 20 °C)**

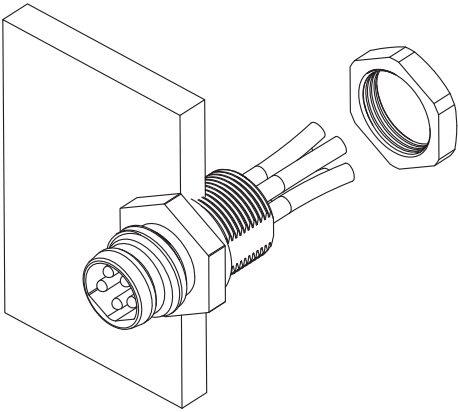
Contact resistance	≤ 10 mΩ
Rated current	3 A (T <sub>amb</sub> 40 °C)
Rated voltage	30 V AC/30 V DC (with pollution degree 3)
Rated impulse voltage	1,5 kV
Material group	I (IEC)/0 (UL) (CTI = 600)
Insulation resistance	> 100 MΩ

**Associated products**

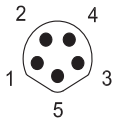
Accessories  
 9908 CPM0

M8

0830 ...B T8CW ...



Pin assignment for male M8 connectors, B-coded, front view



- 5 pole
- 1 brown
  - 2 white
  - 3 blue
  - 4 black
  - 5 gray

- \*a O-ring gasket
- \*b nut
- \*c potting
- \*d port in mounting plate

M8

0830 ...B T8CW ...

Designation	Pole Number	Connected Cable	PU (Pieces)	MDQ (Pieces)	Dimensions L (mm)
0830 05B T8CW 0,5m	5	PVC, brown/white/blue/ black/gray, 5 x 0.34 mm <sup>2</sup> (AWG 22), UL- style 1007	10	10	500

**Packaging:**  
in a plastic bag