

M8


0830 ... T8CW ...

Panel Mount Connectors M8



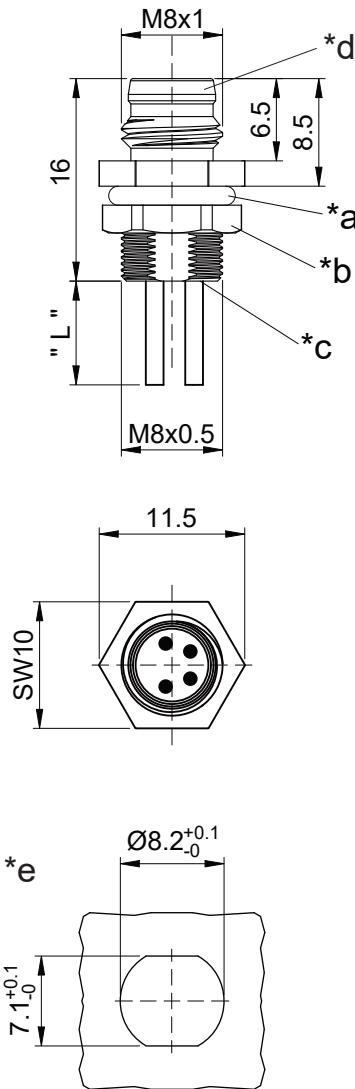
M8 panel mount connector, male, A-coded, IP67, for front mounting, thread M8, with nut and stranded wires

---

Approvals: 

---

**M8** 0830 ... T8CW ...



**Environmental conditions**

Temperature range -25 °C/+80 °C

**Materials**

Insulating body	PA
Contact pin	CuZn, pre-nickel and gold-plated
Housing	CuZn, nickel-plated
Hexagonal nut	CuZn, nickel-plated
Seal	FKM

**Mechanical data**

Mating cycles	≥ 100
Insertion force	≤ 23 N <sup>1</sup>
Withdrawal force	≤ 23 N <sup>1</sup>
Protection class	IP67 <sup>2</sup>

<sup>1</sup> measured with a proper counterpart

<sup>2</sup> according to IEC DIN EN 60529, only in locked condition with an appropriate counterpart

**Electrical data (at T<sub>amb</sub> 20 °C)**

Contact resistance	≤ 10 mΩ
Rated current	4 A (3–4 poles) 1.5 A (6–8 poles) (T <sub>v</sub> 40 °C)
Rated voltage	48 V AC/60 V DC (3–4 poles) 32 V AC/DC (6–8 poles) (with pollution degree 3)
Rated impulse voltage	1,5 kV
Material group	I (IEC)/0 (UL) (CTI = 600)
Insulation resistance	> 100 MΩ

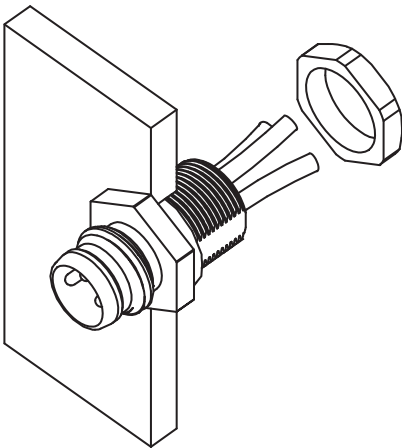
**Associated products**

Counterparts

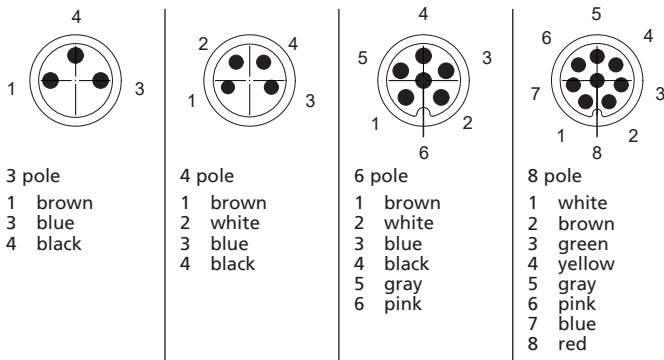
☞ 0800 ... 0...	☞ 0800 ... 3...	☞ 0800F1 ... 0...
☞ 0800F1 ... 3...	☞ 0805 ... 0...	☞ 0805 ... 3...
☞ 0805F1 ... 0...	☞ 0806 ... L1 0...	☞ 0806 ... L1 3...
☞ 0810 0806 ... L1 3...	☞ 1210 0800 ... 3...	☞ 1210 0806 ... L1 3...

Accessories  
☞ 9908 CPM0

**M8** 0830 ... T8CW ...



Pin assignment for male M8 connectors, A-coded, front view



- \*a O-ring gasket
- \*b nut
- \*c contact area potted
- \*d front edge makes up part of the metal housing for 3- and 4-pole, part of the plastic contact carrier for 6- and 8-pole
- \*e port in mounting plate

**M8** 0830 ... T8CW ...

Designation	Pole Number	Connected Cable	PU (Pieces)	MDQ (Pieces)	Dimensions L (mm)
0830 03 T8CW 0,5m	3	PVC, brown/blue/black, 3 x 0.34 mm <sup>2</sup> (AWG 22), UL- style 1007	10	10	500
0830 03 T8CW 1,4m	3	PVC, brown/blue/black, 3 x 0.34 mm <sup>2</sup> (AWG 22), UL- style 1007	10	10	1400
0830 04 T8CW 0,5m	4	PVC, brown/white/blue/ black, 4 x 0.34 mm <sup>2</sup> (AWG 22), UL-style 1007	10	10	500
0830 06 T8CW 0,5m	6	PVC, brown/white/blue/ black/gray/pink, 6 x 0.25 mm <sup>2</sup> (AWG 24), UL-style 1007	10	10	500
0830 08 T8CW 0,5m	8	PVC, white/brown/green/ yellow/gray/pink/blue/red, 8 x 0.25 mm <sup>2</sup> (AWG 24), UL-style 1007	10	10	500

**Packaging:**  
in a plastic bag