

M8


0831 ... T10CP

## Panel Mount Connectors M8



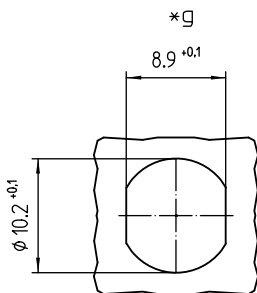
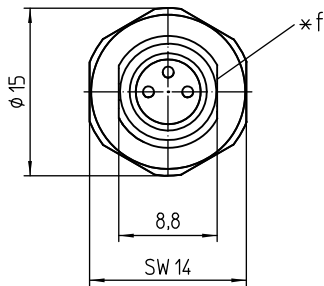
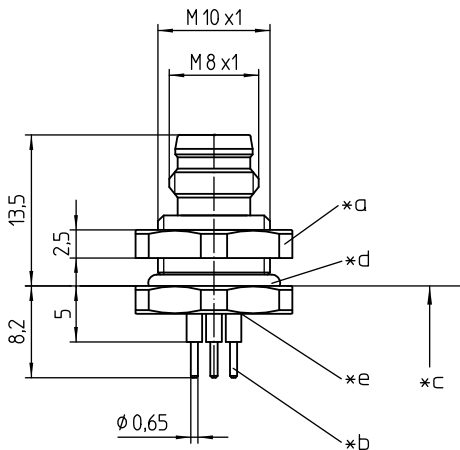
M8 panel mount connector, male, A-coded, IP67, for rear side mounting, thread M10, with nut, for printed circuit boards

---

Approvals: 

---

**M8** 0831 ... T10CP



**Environmental conditions**

Temperature range -25 °C/+80 °C

**Materials**

|                 |                                  |
|-----------------|----------------------------------|
| Insulating body | PA                               |
| Contact pin     | CuZn, pre-nickel and gold-plated |
| Housing         | CuZn, nickel-plated              |
| Hexagonal nut   | CuZn, nickel-plated              |
| Seal            | FKM                              |

**Mechanical data**

|                  |                     |
|------------------|---------------------|
| Mating cycles    | ≥ 100               |
| Insertion force  | ≤ 23 N <sup>1</sup> |
| Withdrawal force | ≤ 23 N <sup>1</sup> |
| Protection class | IP67 <sup>2</sup>   |

<sup>1</sup> measured with a proper counterpart

<sup>2</sup> according to IEC DIN EN 60529, only in locked condition with an appropriate counterpart

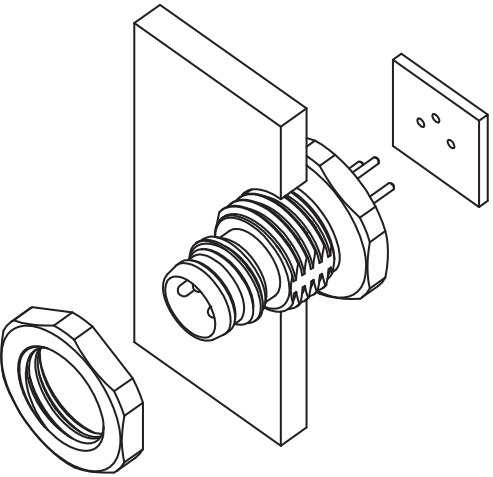
**Electrical data (at T<sub>amb</sub> 20 °C)**

|                       |   |
|-----------------------|---|
| Contact resistance    | ≤ 10 mΩ                                   |
| Rated current         | 4 A (T <sub>amb</sub> 40 °C)              |
| Rated voltage         | 50 V AC/60 V DC (with pollution degree 3) |
| Rated impulse voltage | 1,5 kV                                    |
| Material group        | I (IEC)/0 (UL) (CTI = 600)                |
| Insulation resistance | > 100 MΩ                                  |

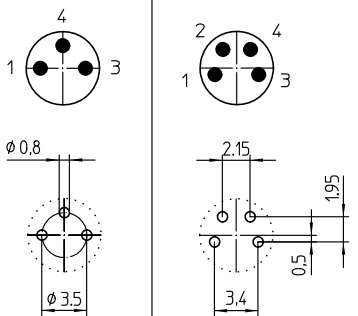
**Associated products**

|                         |                      |                         |
|-------------------------|----------------------|-------------------------|
| Counterparts            |                      |                         |
| ☞ 0800 ... 0...         | ☞ 0800 ... 3...      | ☞ 0800F1 ... 0...       |
| ☞ 0800F1 ... 3...       | ☞ 0805 ... 0...      | ☞ 0805 ... 3...         |
| ☞ 0805F1 ... 0...       | ☞ 0806 ... L1 0...   | ☞ 0806 ... L1 3...      |
| ☞ 0810 0806 ... L1 3... | ☞ 1210 0800 ... 3... | ☞ 1210 0806 ... L1 3... |

**M8**    **0831 ... T10CP**



Pin assignment and printed circuit board layouts for male M8 connectors, A-coded, components side view



- \*a nut
- \*b solder pin for bore hole in printed circuit board  $\varnothing 0.8$  mm
- \*c mounting direction
- \*d O-ring gasket
- \*e contact area potted
- \*f anti-rotation
- \*g port in mounting plate

M8

0831 ... T10CP

| Designation   | Pole Number | PU (Pieces) | MDQ (Pieces) |
|---------------|-------------|-------------|--------------|
| 0831 03 T10CP | 3           | 10          | 10           |
| 0831 04 T10CP | 4           | 10          | 10           |

**Packaging:**  
in a plastic bag