

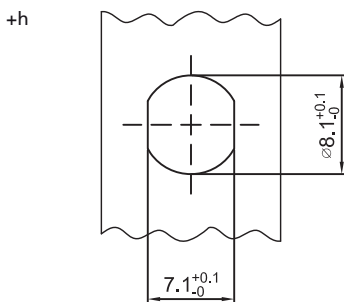
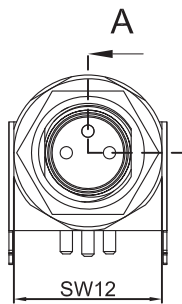
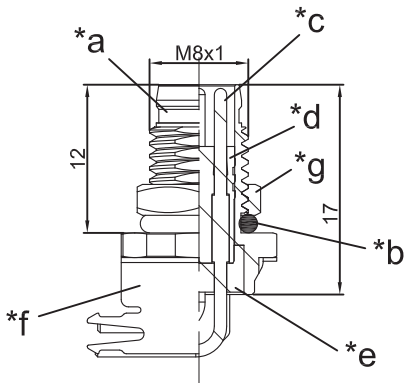
M8 0832 ...S9 T8CP

## Panel Mount Connectors M8



M8 panel mount connector, male, angled version, A-coded, IP67, for rear side mounting, thread M8, with shielding contact and nut, for printed circuit boards

**M8 0832 ...S9 T8CP**



**Environmental conditions**

Temperature range -25 °C/+80 °C

**Materials**

Insulating body	PA
Contact pin	CuZn, pre-nickel and gold-plated
Ground contact	CuZn, nickel-plated
Housing	CuZn, nickeled
Hexagonal nut	CuZn, nickel-plated
Seal	FKM

**Mechanical data**

Mating cycles	$\geq 100$
Insertion force	$\leq 23 \text{ N}^1$
Withdrawal force	$\leq 23 \text{ N}^1$
Protection class	IP67 <sup>2</sup>













<sup>1</sup> measured with a proper counterpart


<sup>2</sup> according to IEC DIN EN 60529, only in locked condition with an appropriate counterpart

**Electrical data (at T<sub>amb</sub> 20 °C)**

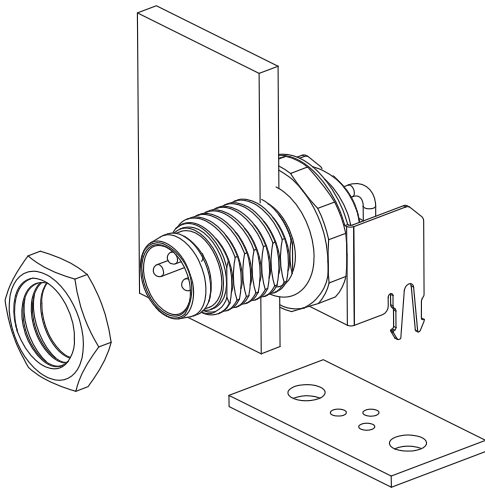
Contact resistance	$\leq 10 \text{ m}\Omega$
Rated current	4 A (T <sub>amb</sub> 40 °C)
Rated voltage	48 V AC/60 V DC (with pollution degree 3)
Rated impulse voltage	1,5 kV
Material group	I (IEC)/0 (UL) (CTI = 600)
Insulation resistance	> 100 M $\Omega$

**Associated products**

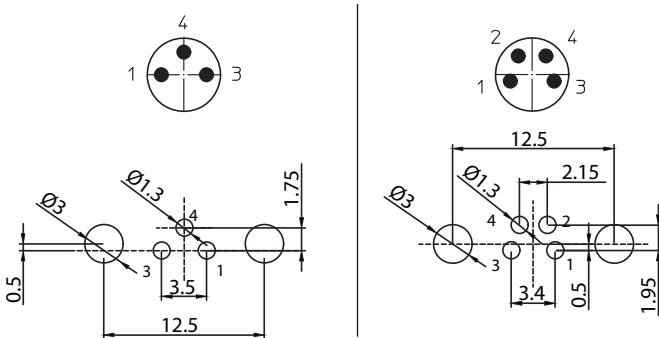
Counterparts			
 0800 ... 0...	 0800 ... 3...	 0800F1 ... 0...	
 0800F1 ... 3...	 0805 ... 0...	 0805 ... 3...	
 0805F1 ... 0...	 0806 ... L1 0...	 0806 ... L1 3...	
 0810 0806 ... L1 3...	 1210 0800 ... 3...	 1210 0806 ... L1 3...	

Accessories  
 9908 CPM0

**M8** 0832 ...S9 T8CP



Pin assignment and printed circuit board layouts for male M8 connectors, A-coded, front view, components side view of printed circuit board



- \*a housing
- \*b O-ring gasket
- \*c contact pin
- \*d insulating body
- \*e potting
- \*f ground/shielding contact
- \*g nut
- \*h port in mounting plate

M8

0832 ...S9 T8CP

Designation	Pole Number	PU (Pieces)	MDQ (Pieces)
0832 03S9 T8CP	3	10	10
0832 04S9 T8CP	4	10	10

**Packaging:**  
in a plastic bag