

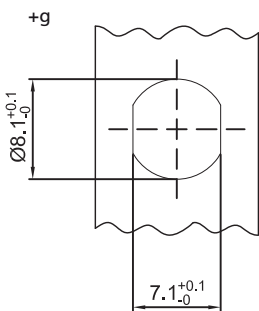
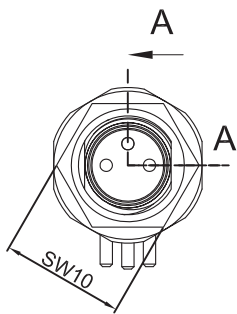
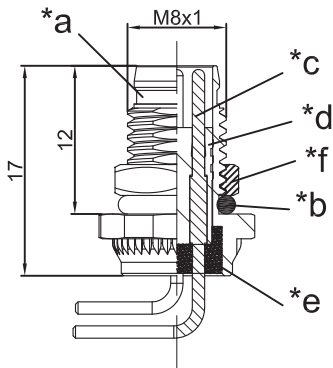
M8 0832 ... T8CP

Panel Mount Connectors M8



M8 panel mount connector, male, angled version, A-coded, IP67, for rear side mounting, thread M8, with nut, for printed circuit boards

M8 **0832 ... T8CP**



Environmental conditions

Temperature range -25 °C/+80 °C

Materials

Insulating body	PA
Contact pin	CuZn, pre-nickel and gold-plated
Housing	CuZn, nickeled
Hexagonal nut	CuZn, nickel-plated
Seal	FKM

Mechanical data

Mating cycles	≥ 100
Insertion force	≤ 23 N ¹
Withdrawal force	≤ 23 N ¹
Protection class	IP67 ²

¹ measured with a proper counterpart

² according to IEC DIN EN 60529, only in locked condition with an appropriate counterpart

Electrical data (at T_{amb} 20 °C)

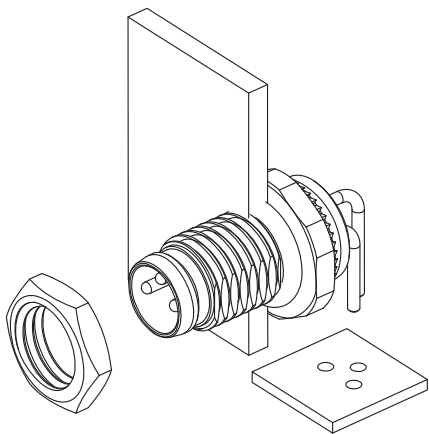
Contact resistance	≤ 10 mΩ
Rated current	4 A (T _{amb} 40 °C)
Rated voltage	50 V AC/60 V DC (with pollution degree 3)
Rated impulse voltage	1,5 kV
Material group	I (IEC)/0 (UL) (CTI = 600)
Insulation resistance	> 100 MΩ

Associated products

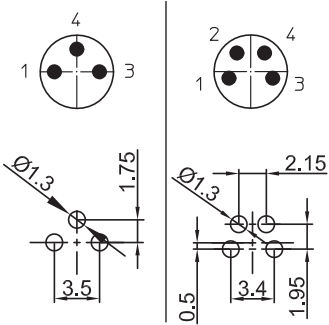
Counterparts		
↗ 0800 ... 0...	↗ 0800 ... 3...	↗ 0800F1 ... 0...
↗ 0800F1 ... 3...	↗ 0805 ... 0...	↗ 0805 ... 3...
↗ 0805F1 ... 0...	↗ 0806 ... L1 0...	↗ 0806 ... L1 3...
↗ 0810 0806 ... L1 3...	↗ 1210 0800 ... 3...	↗ 1210 0806 ... L1 3...

Accessories
↗ 9908 CPM0

M8 0832 ... T8CP



Pin assignment and printed circuit board layouts for male M12 connectors, A-coded, components side view



- *a housing
- *b O-ring gasket
- *c contact pin
- *d insulating body
- *e potting
- *f nut
- *g port in mounting plate

M8

0832 ... T8CP

Designation	Pole Number	PU (Pieces)	MDQ (Pieces)
0832 03 T8CP	3	10	10
0832 04 T8CP	4	10	10

Packaging:
in a plastic bag