

M12

1205 ... 0...

Cordsets M12



Actuator/sensor cordset with overmolded connector

Cable end 1:

M12 female, angled, A-coded, IP67

Cable end 2:

blunt cut

Cable:

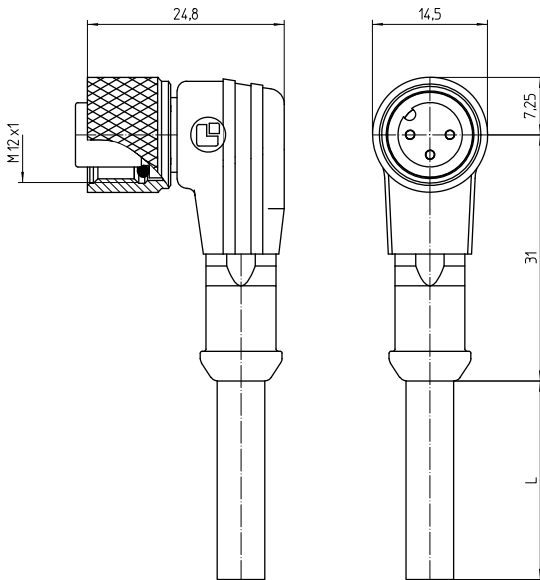
PVC, black

Approvals:



M12

1205 ... 0...



Environmental conditions

Temperature range -25 °C/+80 °C

Materials

Insulating body	TPU GF, HB according to UL94
Contact bush	CuZn, pre-nickel and gold-plated
Overmolding/handle	PVC, HB according to UL94
Knurled nut	CuZn, nickel-plated
Seal	FKM

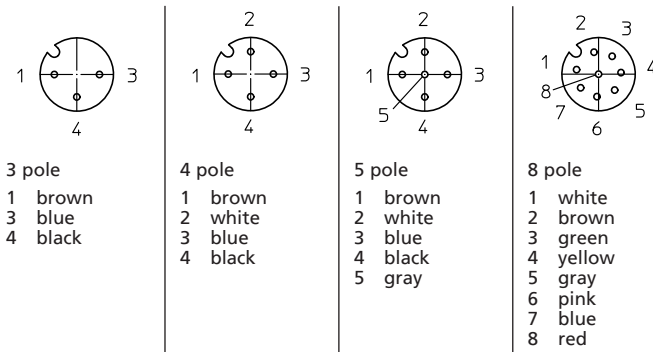
Mechanical data

Mating cycles	≥ 100
Insertion force	≤ 10 N (4-5 poles) ≤ 23 N (8 poles) ¹
Withdrawal force	≤ 15 N (4-5 poles) ≤ 30 N (8 poles) ¹
Protection class	IP67 ²

¹ measured with a proper counterpart

² according to IEC DIN EN 60529, only in locked condition with an appropriate counterpart

Pin assignments for female M12 connectors, A-coded, front view



Connected cable

Construction	PVC, black
Outer jacket	PVC, black

Electrical data (at T_{amb} 20 °C)

Contact resistance	≤ 10 mΩ
Rated current	4 A (3-5 poles) 2 A (8 poles) 1.5 A (12 poles) (T _{amb} 40 °C)
Rated voltage	250 V AC/DC (3-4 poles) 60 V AC/DC (5 poles) 30 V AC/DC (8-12 poles)
Rated impulse voltage	2500 V (3-4 poles) 1500 V (5 poles) 800 V (8-12 poles)
Material group	I (IEC)/0 (UL) (CTI = 600)
Insulation resistance	> 100 MΩ

M12

1205 ... 0...

Associated products

Counterparts

1210 ... 0...	1210 ... 3...	1210 0800 ... 3...
1210 0806 ... L1 3...	1210 1200 ... 0...	1210 1200 ... 3...
1210 1205 ... 3...	1210 1206 ... L1 0...	1210 1206 ... L1 3...
1210 1206 ... L2 0...	1210 1206 ... L2 3...	1230 ... T16CW ...
1230 ... T16CW100 ...	1230 ... T16CW101 ...	1230 ... T16CW102 ...
1230 ... T16CW103 ...	1230 ... T16CW104 ...	1230 ... T16CW105 ...
1231 ... T16CW100 ...	1231 ... T9CP	1239 ... TOCB
1250 ... T...CR	1255 ... T9CR	

Accessories

9912 CPF0	9912 MRBU	9912 MRGN
9912 MRRD	9912 MRWH	9912 MRYE

M12

1205 ... 0...

Designation	Pole Number	Connected Cable	PU (Pieces)	MDQ (Pieces)	Dimensions L (mm)
1205 04 002 2m	4	PVC, black, 4 x 0.34 mm ² (AWG 22), 910002, UL-style 2464	5	10	2000
1205 04 002 5m	4	PVC, black, 4 x 0.34 mm ² (AWG 22), 910002, UL-style 2464	1	10	5000
1205 04 002 10m	4	PVC, black, 4 x 0.34 mm ² (AWG 22), 910002, UL-style 2464	1	10	10000
1205 04 002 20m	4	PVC, black, 4 x 0.34 mm ² (AWG 22), 910002, UL-style 2464	1	10	20000
1205 04 002 25m	4	PVC, black, 4 x 0.34 mm ² (AWG 22), 910002, UL-style 2464	1	10	25000
1205 05 003 2m	5	PVC, black, 5 x 0.34 mm ² (AWG 22), 910003, UL-style 2464	5	10	2000
1205 05 003 5m	5	PVC, black, 5 x 0.34 mm ² (AWG 22), 910003, UL-style 2464	1	10	5000
1205 08 004 2m	8	PVC, black, 8 x 0.25 mm ² (AWG 24), 910004, UL-style 2464	5	10	2000
1205 08 004 5m	8	PVC, black, 8 x 0.25 mm ² (AWG 24), 910004, UL-style 2464	1	10	5000

Packaging:
in a plastic bag