

M12

1205 ... 3...

Cordsets M12



Actuator/sensor cordset with overmolded connector

**Cable end 1:**

M12 female, angled, A-coded, IP67

**Cable end 2:**

blunt cut

**Cable:**

PUR, black

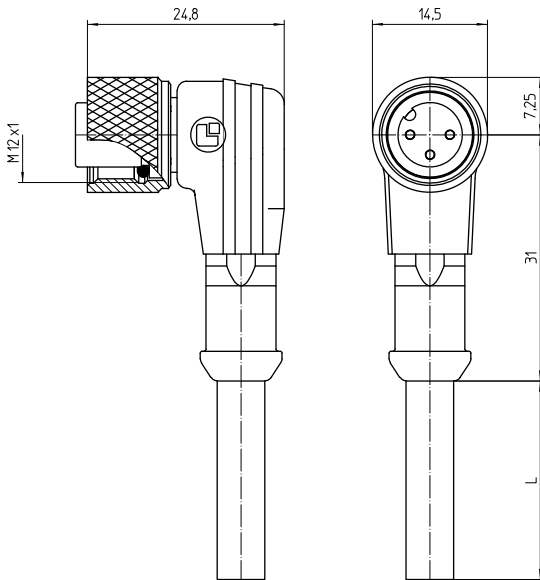
---

Approvals:



M12

1205 ... 3...



#### Environmental conditions

Temperature range -25 °C/+80 °C

#### Materials

Insulating body TPU GF, HB according to UL94  
 Contact bush CuZn, pre-nickel and gold-plated  
 Overmolding/handle TPU<sup>1</sup>  
 Knurled nut CuZn, nickel-plated  
 Seal FKM

<sup>1</sup> material halogen-free

#### Mechanical data

Mating cycles  $\geq 100$   
 Insertion force  $\leq 10$  N (4-5 poles)  
 $\leq 23$  N (8 poles)  
<sup>1</sup>  
 Withdrawal force  $\leq 15$  N (4-5 poles)  
 $\leq 30$  N (8 poles)<sup>2</sup>

Protection class IP67<sup>3</sup>

<sup>1</sup> measured with a proper counterpart

<sup>2</sup> measured with a proper counterpart

<sup>3</sup> according to IEC DIN EN 60529, only in locked condition with an appropriate counterpart

#### Connected cable

Outer jacket PUR, black

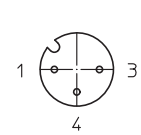
#### Electrical data (at T<sub>amb</sub> 20 °C)

Contact resistance  $\leq 10$  m $\Omega$   
 Rated current 4 A (3-5 poles)  
 2 A (8 poles)  
 1.5 A (12 poles)  
 (T<sub>amb</sub> 40 °C)  
 Rated voltage 250 V AC/DC (3-4 poles)  
 60 V AC/DC (5 poles)  
 30 V AC/DC (8-12 poles)  
 Rated impulse voltage 2500 V (3-4 poles)  
 1500 V (5 poles)  
 800 V (8-12 poles)  
 Material group I (IEC)/0 (UL) (CTI = 600)  
 Insulation resistance > 100 M $\Omega$

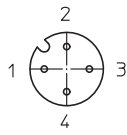
**M12**

**1205 ... 3...**

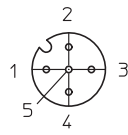
**Pin assignments for female M12 connectors, A-coded, front view**



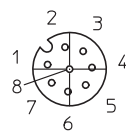
- 3 pole**  
1 brown  
3 blue  
4 black



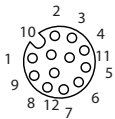
- 4 pole**  
1 brown  
2 white  
3 blue  
4 black



- 5 pole**  
1 brown  
2 white  
3 blue  
4 black  
5 gray



- 8 pole**  
1 white  
2 brown  
3 green  
4 yellow  
5 gray  
6 pink  
7 blue  
8 red



- 12 pole**  
1 white  
2 green  
3 yellow  
4 gray  
5 pink  
6 red  
7 black  
8 violet  
9 gray/pink  
10 red/blue  
11 blue  
12 brown

**Associated products**

**Counterparts**

- |                                       |                                       |                                       |
|---------------------------------------|---------------------------------------|---------------------------------------|
| <a href="#">1210 ... 0...</a>         | <a href="#">1210 ... 3...</a>         | <a href="#">1210 0800 ... 3...</a>    |
| <a href="#">1210 0806 ... L1 3...</a> | <a href="#">1210 1200 ... 0...</a>    | <a href="#">1210 1200 ... 3...</a>    |
| <a href="#">1210 1205 ... 3...</a>    | <a href="#">1210 1206 ... L1 0...</a> | <a href="#">1210 1206 ... L1 3...</a> |
| <a href="#">1210 1206 ... L2 0...</a> | <a href="#">1210 1206 ... L2 3...</a> | <a href="#">1230 ... T16CW ...</a>    |
| <a href="#">1230 ... T16CW100 ...</a> | <a href="#">1230 ... T16CW101 ...</a> | <a href="#">1230 ... T16CW102 ...</a> |
| <a href="#">1230 ... T16CW103 ...</a> | <a href="#">1230 ... T16CW104 ...</a> | <a href="#">1230 ... T16CW105 ...</a> |
| <a href="#">1231 ... T16CW100 ...</a> | <a href="#">1231 ... T9CP</a>         | <a href="#">1239 ... TOCB</a>         |
| <a href="#">1250 ... T...CR</a>       | <a href="#">1255 ... T9CR</a>         | <a href="#">5012 04L1</a>             |
| <a href="#">5012 08L1</a>             | <a href="#">5012 10L1</a>             | <a href="#">5512 04DL1</a>            |
| <a href="#">5512 04L1</a>             | <a href="#">5512 08L1</a>             |                                       |

**Accessories**

- |                           |                           |                           |
|---------------------------|---------------------------|---------------------------|
| <a href="#">9912 CPF0</a> | <a href="#">9912 MRBU</a> | <a href="#">9912 MRGN</a> |
| <a href="#">9912 MRRD</a> | <a href="#">9912 MRWH</a> | <a href="#">9912 MRYE</a> |

M12

1205 ... 3...

| Designation      | Pole Number         | Connected Cable   | PU (Pieces) | MDQ (Pieces) | Dimensions<br>L (mm) |
|------------------|---------------------|---|-------------|--------------|----------------------|
| 1205 04 301 1,5m | 4                   | PUR, black, 4 x 0.34 mm <sup>2</sup><br>(AWG 22),<br>910301, UL-style 20549 | 5           | 10           | 1500                 |
| 1205 04 301 2m   | 4                   | PUR, black, 4 x 0.34 mm <sup>2</sup><br>(AWG 22),<br>910301, UL-style 20549 | 5           | 10           | 2000                 |
| 1205 04 301 5m   | 4                   | PUR, black, 4 x 0.34 mm <sup>2</sup><br>(AWG 22),<br>910301, UL-style 20549 | 1           | 10           | 5000                 |
| 1205 05 302 1m   | 5                   | PUR, black, 5 x 0.34 mm <sup>2</sup><br>(AWG 22),<br>910302, UL-style 20549 | 5           | 10           | 1000                 |
| 1205 05 302 2m   | 5                   | PUR, black, 5 x 0.34 mm <sup>2</sup><br>(AWG 22),<br>910302, UL-style 20549 | 5           | 10           | 2000                 |
| 1205 05 302 5m   | 5                   | PUR, black, 5 x 0.34 mm <sup>2</sup><br>(AWG 22),<br>910302, UL-style 20549 | 1           | 10           | 5000                 |
| 1205 08 303 2m   | 8                   | PUR, black, 8 x 0.25 mm <sup>2</sup><br>(AWG 24),<br>910303, UL-style 20549 | 5           | 10           | 2000                 |
| 1205 08 303 5m   | 8                   | PUR, black, 8 x 0.25 mm <sup>2</sup><br>(AWG 24),<br>910303, UL-style 20549 | 1           | 10           | 5000                 |
| 1205 12 315 5m   | 12<br>cULus pending | PUR, black, 12 x 0.25 mm <sup>2</sup><br>(AWG 24)<br>910315, UL-style 20549 | 1           | 10           | 5000                 |

**Packaging:**  
in a plastic bag