

M12

1206 ... L1 3...

Cordsets M12



Actuator/sensor cordset with overmolded connector

**Cable end 1:**

M12 female, angled, with LED L1, A-coded, IP67

**Cable end 2:**

blunt cut

**Cable:**

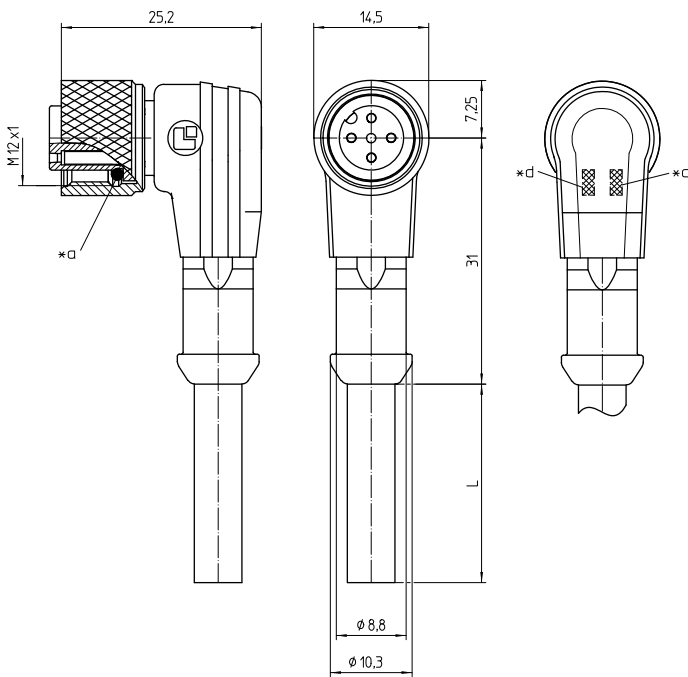
PUR, black

---

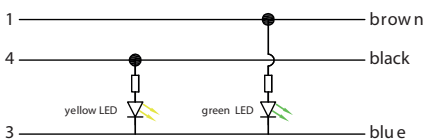
Approvals:  US pending

---

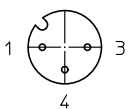
**M12** 1206 ... L1 3...



**Connection diagram (PNP, normally open)**



**Pin assignment for female M12 connectors, A-coded, front view**



- 3 pole
- 1 brown
- 3 blue
- 4 black

- \*a O-ring gasket
- \*c operation indicator green
- \*d function indicator yellow

**Environmental conditions**

Temperature range -25 °C/+80 °C

**Materials**

Insulating body	TPU GF, HB according to UL94
Contact bush	CuZn, pre-nickel and gold-plated
Overmolding/handle	TPU <sup>1</sup>
Knurled nut	CuZn, nickel-plated
Seal	FKM

<sup>1</sup> material halogen-free

**Mechanical data**

Mating cycles	≥ 100
Insertion force	≤ 10 N <sup>1</sup>
Withdrawal force	≤ 15 N <sup>1</sup>
Protection class	IP67 <sup>2</sup>

<sup>1</sup> measured with a proper counterpart

<sup>2</sup> according to IEC DIN EN 60529, only in locked condition with an appropriate counterpart

**Connected cable**

Section PUR, black

**Electrical data (at T<sub>amb</sub> 20 °C)**

Contact resistance	≤ 10 mΩ
Rated current	4 A (T <sub>amb</sub> 40 °C)
Rated voltage	30 V DC
Material group	I (IEC)/0 (UL) (CTI = 600)
Insulation resistance	> 100 MΩ

**Associated products**

Counterparts

- |                         |                         |                         |
|-------------------------|-------------------------|-------------------------|
| ☞ 1210 ... 0...         | ☞ 1210 ... 3...         | ☞ 1210 0800 ... 3...    |
| ☞ 1210 1200 ... 0...    | ☞ 1210 1200 ... 3...    | ☞ 1210 1205 ... 3...    |
| ☞ 1230 ... T16CW ...    | ☞ 1230 ... T16CW100 ... | ☞ 1230 ... T16CW101 ... |
| ☞ 1230 ... T16CW102 ... | ☞ 1230 ... T16CW103 ... | ☞ 1230 ... T16CW104 ... |
| ☞ 1230 ... T16CW105 ... | ☞ 1231 ... T16CW100 ... | ☞ 1231 ... T9CP         |
| ☞ 1239 ... T0CB         | ☞ 1250 ... T...CR       | ☞ 1255 ... T9CR         |

Accessories

- |             |             |             |
|-------------|-------------|-------------|
| ☞ 9912 CPF0 | ☞ 9912 MRBU | ☞ 9912 MRGN |
| ☞ 9912 MRRD | ☞ 9912 MRWH | ☞ 9912 MRYE |

M12 1206 ... L1 3...



M12

1206 ... L1 3...

Designation	Pole Number	Connected Cable	PU (Pieces)	MDQ (Pieces)	Dimensions L (mm)
1206 03 L1 300 2m	3	PUR, black, 3 x 0.34 mm <sup>2</sup> (AWG 22), 910300, UL-style 20549	5	10	2000
1206 03 L1 300 5m	3	PUR, black, 3 x 0.34 mm <sup>2</sup> (AWG 22), 910300, UL-style 20549	1	10	5000

**Packaging:**  
in a plastic bag