

M12

1206 ... L2 0...

Cordsets M12



Actuator/sensor cordset with overmolded connector

Cable end 1:

M12 female, angled, with LED L2, A-coded, IP67

Cable end 2:

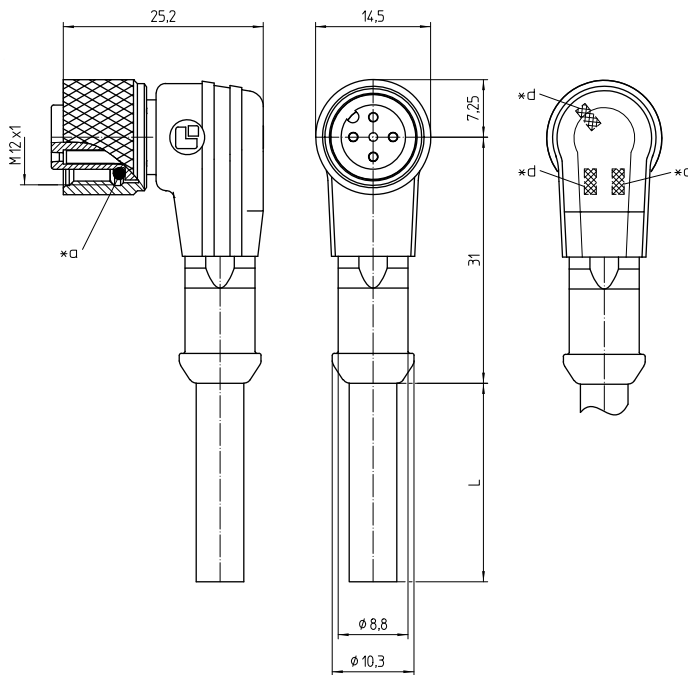
blunt cut

Cable:

PVC, black

Approvals:  US pending

M12 1206 ... L2 0...



Environmental conditions

Temperature range -25 °C/+80 °C

Materials

Insulating body	TPU GF, HB according to UL94
Contact bush	CuZn, pre-nickel and gold-plated
Overmolding/handle	PVC, HB according to UL94
Knurled nut	CuZn, nickel-plated
Seal	FKM

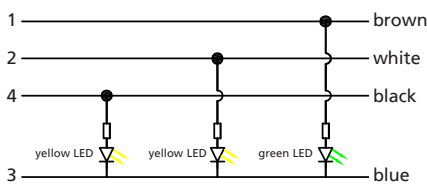
Mechanical data

Mating cycles	≥ 100
Insertion force	≤ 10 N ¹
Withdrawal force	≤ 15 N ¹
Protection class	IP67 ²

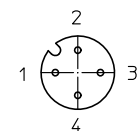
¹ measured with a proper counterpart

² according to IEC DIN EN 60529, only in locked condition with an appropriate counterpart

Connection diagram (PNP, normally open)



Pin assignment for female M12 connectors, A-coded, front view



- 4 pole
- 1 brown
- 2 white
- 3 blue
- 4 black

Connected cable

Outer jacket PVC, black

Electrical data (at T_{amb} 20 °C)

Contact resistance	≤ 10 mΩ
Rated current	4 A (T _{amb} 40 °C)
Rated voltage	30 V DC
Material group	I (IEC)/0 (UL) (CTI = 600)
Insulation resistance	> 100 MΩ

Associated products

Counterparts

- | | | |
|-------------------------|-------------------------|-------------------------|
| ☞ 1210 ... 0... | ☞ 1210 ... 3... | ☞ 1210 0800 ... 3... |
| ☞ 1210 1200 ... 0... | ☞ 1210 1200 ... 3... | ☞ 1210 1205 ... 3... |
| ☞ 1230 ... T16CW ... | ☞ 1230 ... T16CW100 ... | ☞ 1230 ... T16CW101 ... |
| ☞ 1230 ... T16CW102 ... | ☞ 1230 ... T16CW103 ... | ☞ 1230 ... T16CW104 ... |
| ☞ 1230 ... T16CW105 ... | ☞ 1231 ... T16CW100 ... | ☞ 1231 ... T9CP |
| ☞ 1239 ... T0CB | ☞ 1250 ... T...CR | ☞ 1255 ... T9CR |

Accessories

- | | | |
|-------------|-------------|-------------|
| ☞ 9912 CPF0 | ☞ 9912 MRBU | ☞ 9912 MRGN |
| ☞ 9912 MRRD | ☞ 9912 MRWH | ☞ 9912 MRYE |

M12 1206 ... L2 0...



M12

1206 ... L2 0...

Designation	Pole Number	Connected Cable	PU (Pieces)	MDQ (Pieces)	Dimensions L (mm)
1206 04 L2 002 2m	4	PVC, black, 4 x 0.34 mm ² (AWG 22), 910002, UL-style 2464	5	10	2000
1206 04 L2 002 5m	4	PVC, black, 4 x 0.34 mm ² (AWG 22), 910002, UL-style 2464	1	10	5000

Packaging:
in a plastic bag