

M12

1206 ... L2 3...

Cordsets M12



Actuator/sensor cordset with overmolded connector

Cable end 1:

M12 female, angled, with LED L2, A-coded, IP67

Cable end 2:

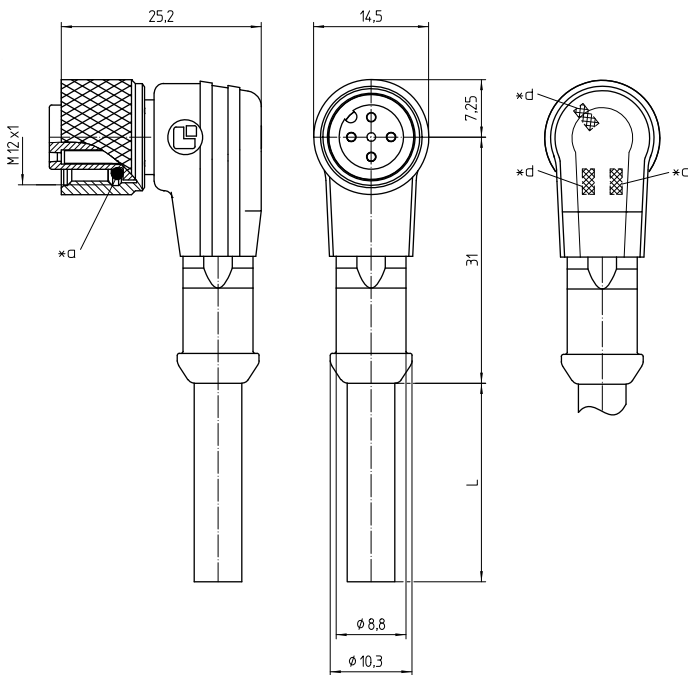
blunt cut

Cable:

PUR, black

Approvals:  US pending

M12 1206 ... L2 3...



Environmental conditions

Temperature range -25 °C/+80 °C

Materials

Insulating body TPU GF, HB according to UL94
 Contact bush CuZn, pre-nickel and gold-plated
 Overmolding/handle TPU¹
 Knurled nut CuZn, nickel-plated
 Seal FKM

¹ material halogen-free

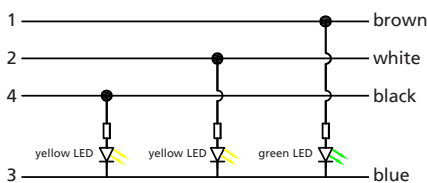
Mechanical data

Mating cycles ≥ 100
 Insertion force $\leq 10 \text{ N}^1$
 Withdrawal force $\leq 15 \text{ N}^1$
 Protection class IP67²

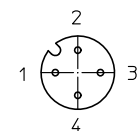
¹ measured with a proper counterpart

² according to IEC DIN EN 60529, only in locked condition with an appropriate counterpart

Connection diagram (PNP, normally open)



Pin assignment for female M12 connectors, A-coded, front view



- 4 pole
- 1 brown
- 2 white
- 3 blue
- 4 black

Connected cable

Outer jacket PUR, black

Electrical data (at T_{amb} 20 °C)

Contact resistance $\leq 10 \text{ m}\Omega$
 Rated current 4 A (T_{amb} 40 °C)
 Rated voltage 30 V DC
 Material group I (IEC)/0 (UL) (CTI = 600)
 Insulation resistance > 100 M Ω

Associated products

Counterparts

☞ 1210 ... 0...	☞ 1210 ... 3...	☞ 1210 0800 ... 3...
☞ 1210 1200 ... 0...	☞ 1210 1200 ... 3...	☞ 1210 1205 ... 3...
☞ 1230 ... T16CW ...	☞ 1230 ... T16CW100 ...	☞ 1230 ... T16CW101 ...
☞ 1230 ... T16CW102 ...	☞ 1230 ... T16CW103 ...	☞ 1230 ... T16CW104 ...
☞ 1230 ... T16CW105 ...	☞ 1231 ... T16CW100 ...	☞ 1231 ... T9CP
☞ 1239 ... T0CB	☞ 1250 ... T...CR	☞ 1255 ... T9CR

Accessories

☞ 9912 CPF0	☞ 9912 MRBU	☞ 9912 MRGN
☞ 9912 MRRD	☞ 9912 MRWH	☞ 9912 MRYE

M12

1206 ... L2 3...



M12

1206 ... L2 3...

Designation	Pole Number	Connected Cable	PU (Pieces)	MDQ (Pieces)	Dimensions L (mm)
1206 04 L2 301 2m	4	PUR, black, 4 x 0.34 mm ² (AWG 22), 910301, UL-style 20549	5	10	2000
1206 04 L2 301 5m	4	PUR, black, 4 x 0.34 mm ² (AWG 22), 910301, UL-style 20549	1	10	5000

Packaging:
in a plastic bag