

M12

1210 0806 ... L1 3...

Actuator/Sensor Cordsets M12



Actuator/sensor cordset with overmolded connectors

Cable end 1:

M12 male, straight, A-coded, IP67

Cable end 2:

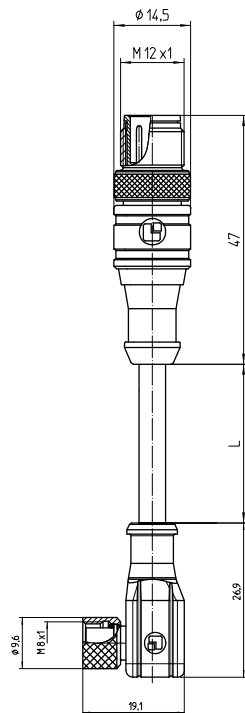
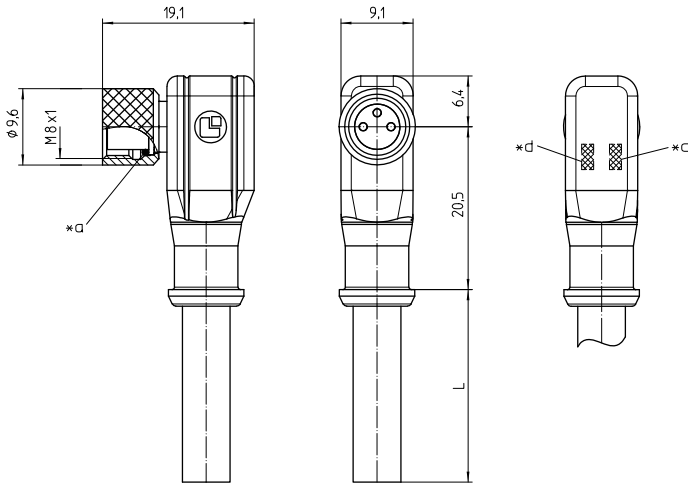
M8 female, angled, with LED L1, A-coded, IP67

Cable:

PUR, black

Approvals:  US pending

M12 1210 0806 ... L1 3...



Environmental conditions

Temperature range -25 °C/+80 °C

Materials

Insulating body	TPU GF, HB according to UL94
Contact bush	CuZn, pre-nickel and gold-plated
Contact pin	CuZn, pre-nickel and gold-plated
Overmolding/handle	TPU ¹
Knurled screw	CuZn, nickel-plated
Knurled nut	CuZn, nickel-plated
Seal	FKM

¹ material halogen-free

Mechanical data

Mating cycles ≥ 100
Protection class IP67¹

¹ according to IEC DIN EN 60529, only in locked condition with an appropriate counterpart

Connected cable

Construction PUR, black

Electrical data (at T_{amb} 20 °C)

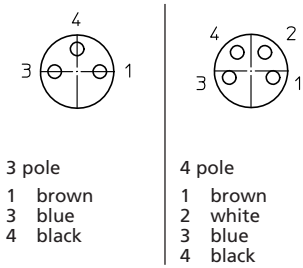
Contact resistance	$\leq 10 \text{ m}\Omega$
Rated current	4 A (T _{amb} 40 °C)
Rated voltage	30 V DC
Material group	I (IEC)/0 (UL) (CTI = 600)
Insulation resistance	> 100 M Ω

Associated products

Counterparts		
☞ 0810 ... 0...	☞ 0810 ... 3...	☞ 0810 0800 ... 0...
☞ 0810 0800 ... 3...	☞ 0810 0805 ... 3...	☞ 0815 ... 0...
☞ 0815 ... 3...	☞ 0830 ... T8CW ...	☞ 0831 ... T10CP
☞ 0831 ... T8CW ...	☞ 0832 ... T8CP	☞ 0832 ...S9 T8CP
☞ 1200 ... 0...	☞ 1205 ... 0...	☞ 1205 ... 3...
☞ 1210 1200 ... 0...	☞ 1220 ... T16CW ...	☞ 1220 ... T20CW100 ...
☞ 1220 ... T20CW101 ...	☞ 1220 ... T20CW102 ...	☞ 1220 ... T20CW103 ...
☞ 1220 ... T20CW104 ...	☞ 1220 ... T20CW105 ...	☞ 1221 ... T16CW100 ...
☞ 1221 ... T9CP	☞ 5500 04DL1 3...	☞ 5500 04L1 3...
☞ 5500 08DL1 3...	☞ 5500 08L1 3...	☞ 5512 04DL1
☞ 5512 04L1	☞ 5512 08L1	☞ 6157 8055 S06 16W

M12 1210 0806 ... L1 3...

Pin assignment for female M8 connectors, A-coded, front view



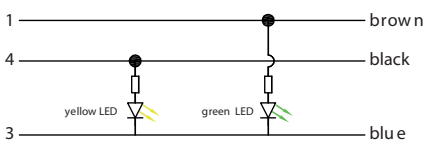
☞ 6157 8055 S09 24W

Accessories

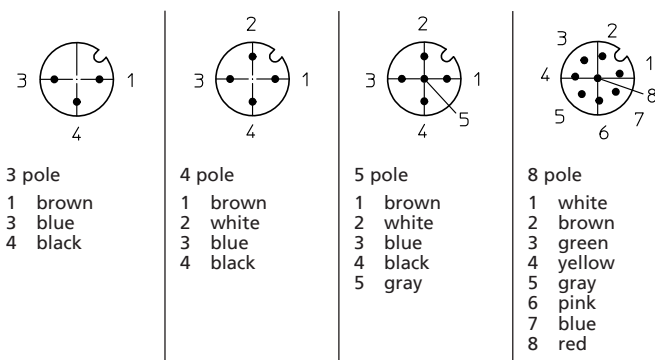
☞ 9908 CPFO

☞ 9912 CPM0

Connection diagram (PNP, normally open)



Pin assignment for male M12 connectors, A-coded, front view



*a O-ring gasket

*c operation indicator green

*d function indicator yellow

M12

1210 0806 ... L1 3...

Designation	Pole Number	Connected Cable	PU (Pieces)	MDQ (Pieces)	Dimensions L (mm)
1210 0806 03 L1 300 0,3m	3	PUR, black, 3 x 0.34 mm ² (AWG 22), 910300, UL-style 20549	5	10	300
1210 0806 03 L1 300 1m	3	PUR, black, 3 x 0.34 mm ² (AWG 22), 910300, UL-style 20549	5	10	1000
1210 0806 03 L1 300 2m	3	PUR, black, 3 x 0.34 mm ² (AWG 22), 910300, UL-style 20549	5	10	2000
1210 0806 03 L1 300 5m	3	PUR, black, 3 x 0.34 mm ² (AWG 22), 910300, UL-style 20549	1	10	5000

Packaging:
in a plastic bag