

M12

1210 1206 ... L2 0...

Cordsets M12



Actuator/sensor cordset with overmolded connectors

Cable end 1:

M12 male, straight, A-coded, IP67

Cable end 2:

M12 female, angled, with LED L2, A-coded, IP67

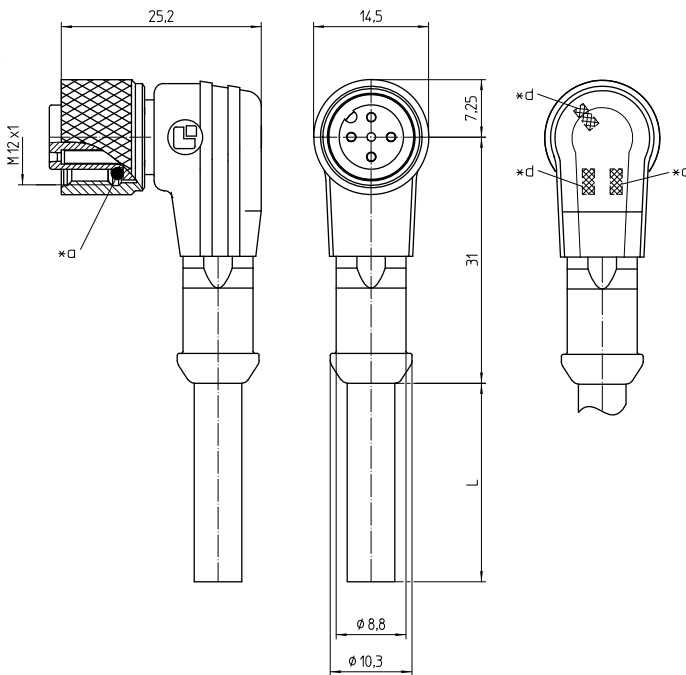
Cable:

PVC, black

Approvals:  US pending

M12

1210 1206 ... L2 0...



Environmental conditions

Temperature range -25 °C/+80 °C

Materials

Insulating body	TPU GF, HB according to UL94
Contact bush	CuZn, pre-nickel and gold-plated
Contact pin	CuZn, pre-nickel and gold-plated
Overmolding/handle	PVC ¹
Knurled screw	CuZn, nickel-plated
Knurled nut	CuZn, nickel-plated
Seal	FKM

¹ material halogen-free

Mechanical data

Mating cycles	≥ 100
Insertion force	≤ 10 N ¹
Withdrawal force	≤ 15 N ¹
Protection class	IP67 ²

¹ measured with a proper counterpart

² according to IEC DIN EN 60529, only in locked condition with an appropriate counterpart

Connected cable

Outer jacket PVC, black

Electrical data (at T_{amb} 20 °C)

Contact resistance	≤ 10 mΩ
Rated current	4 A (T _{amb} 40 °C)
Rated voltage	30 V DC
Material group	I (IEC)/0 (UL) (CTI = 600)
Insulation resistance	> 100 MΩ

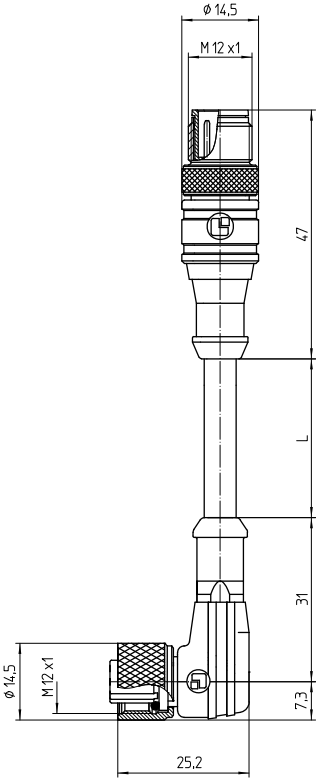
Associated products

Counterparts

☞ 1200 ... 0...	☞ 1200 ... 3...	☞ 1205 ... 0...
☞ 1205 ... 3...	☞ 1210 ... 0...	☞ 1210 ... 3...
☞ 1220 ... T16CW ...	☞ 1220 ... T20CW100 ...	☞ 1220 ... T20CW101 ...
☞ 1220 ... T20CW102 ...	☞ 1220 ... T20CW103 ...	☞ 1220 ... T20CW104 ...
☞ 1220 ... T20CW105 ...	☞ 1221 ... T16CW100 ...	☞ 1221 ... T9CP
☞ 1230 ... T16CW ...	☞ 1230 ... T16CW100 ...	☞ 1230 ... T16CW101 ...
☞ 1230 ... T16CW102 ...	☞ 1230 ... T16CW103 ...	☞ 1230 ... T16CW104 ...
☞ 1230 ... T16CW105 ...	☞ 1231 ... T16CW100 ...	☞ 1231 ... T9CP

M12

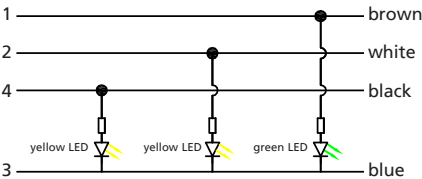
1210 1206 ... L2 0...



- ☞ 1239 ... T0CB
- ☞ 1240 ... T...CR
- ☞ 1245 ... T9CR
- ☞ 1250 ... T...CR
- ☞ 1255 ... T9CR
- ☞ 5500 04DL1 3...
- ☞ 5500 08DL1 3...
- ☞ 5500 08L1 3...
- ☞ 5512 04DL1
- ☞ 5512 04L1
- ☞ 5512 08L1

- Accessories
- ☞ 9912 CPF0
 - ☞ 9912 CPM0
 - ☞ 9912 MRBU
 - ☞ 9912 MRGN
 - ☞ 9912 MRRD
 - ☞ 9912 MRWH
 - ☞ 9912 MRYE

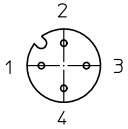
Connection diagram (PNP, normally open)



M12

1210 1206 ... L2 0...

Pin assignment for female M12 connectors, A-coded, front view



4 pole

- 1 brown
- 2 white
- 3 blue
- 4 black

- *a O-ring gasket
- *c operation indicator green
- *d function indicator yellow

M12

1210 1206 ... L2 0...

Designation	Pole Number	Connected Cable	PU (Pieces)	MDQ (Pieces)	Dimensions L (mm)
1210 1206 04 L2 002 0,3m	4	PVC, black, 4 x 0.34 mm ² (AWG 22), 910002, UL-style 2464	5	10	300
1210 1206 04 L2 002 1m	4	PVC, black, 4 x 0.34 mm ² (AWG 22), 910002, UL-style 2464	5	10	1000
1210 1206 04 L2 002 2m	4	PVC, black, 4 x 0.34 mm ² (AWG 22), 910002, UL-style 2464	5	10	2000
1210 1206 04 L2 002 5m	4	PVC, black, 4 x 0.34 mm ² (AWG 22), 910002, UL-style 2464	1	10	5000

Packaging:
in a plastic bag