

M12

1210 1206 ... L2 3...

## Actuator/Sensor Cordsets M12



Actuator/sensor cordset with overmolded connectors

**Cable end 1:**

M12 male, straight, A-coded, IP67

**Cable end 2:**

M12 female, angled, with LED L2, A-coded, IP67

**Cable:**

PUR, black

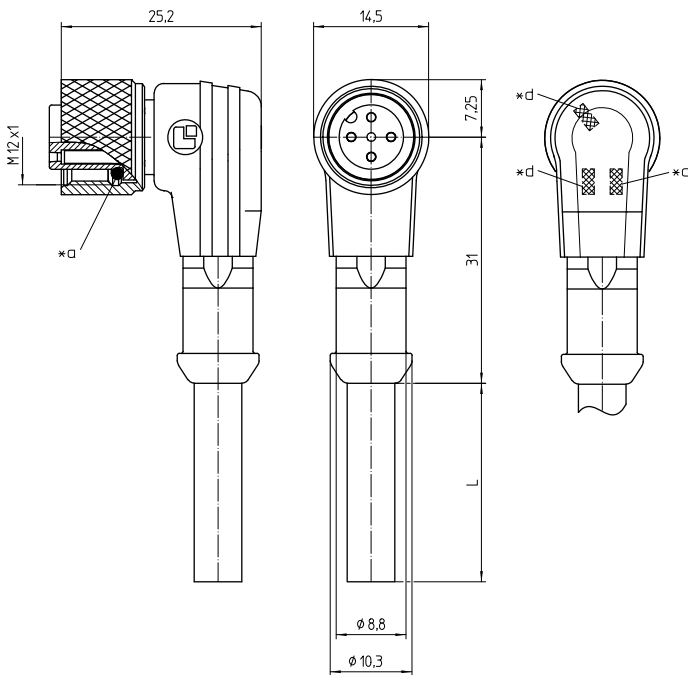
---

Approvals:  US pending

---

M12

1210 1206 ... L2 3...



### Environmental conditions

Temperature range  $\leq 15 \text{ N}^1$

<sup>1</sup> measured with a proper counterpart

### Materials

Insulating body	TPU GF, HB according to UL94
Contact bush	CuZn, pre-nickel and gold-plated
Contact pin	CuZn, pre-nickel and gold-plated
Overmolding/handle	TPU <sup>1</sup>
Knurled screw	CuZn, nickel-plated
Knurled nut	CuZn, nickel-plated
Seal	FKM

<sup>1</sup> material halogen-free

### Mechanical data

Mating cycles	$\geq 100$
Insertion force	$\leq 10 \text{ N}^1$
Protection class	IP67 <sup>2</sup>

<sup>1</sup> measured with a proper counterpart

<sup>2</sup> according to IEC DIN EN 60529, only in locked condition with an appropriate counterpart

### Connected cable

Construction	PUR, black
--------------	------------

### Electrical data (at $T_{\text{amb}} 20 \text{ }^\circ\text{C}$ )

Contact resistance	$\leq 10 \text{ m}\Omega$
Rated current	4 A ( $T_{\text{amb}} 40 \text{ }^\circ\text{C}$ )
Rated voltage	30 V DC
Material group	I (IEC)/0 (UL) (CTI = 600)
Insulation resistance	$> 100 \text{ M}\Omega$

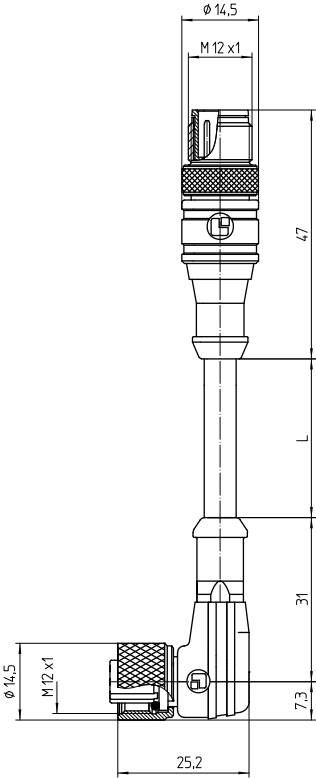
### Associated products

#### Counterparts

<a href="#">↗ 1200 ... 0...</a>	<a href="#">↗ 1200 ... 3...</a>	<a href="#">↗ 1205 ... 0...</a>
<a href="#">↗ 1205 ... 3...</a>	<a href="#">↗ 1210 ... 0...</a>	<a href="#">↗ 1210 ... 3...</a>
<a href="#">↗ 1220 ... T16CW ...</a>	<a href="#">↗ 1220 ... T20CW100 ...</a>	<a href="#">↗ 1220 ... T20CW101 ...</a>
<a href="#">↗ 1220 ... T20CW102 ...</a>	<a href="#">↗ 1220 ... T20CW103 ...</a>	<a href="#">↗ 1220 ... T20CW104 ...</a>
<a href="#">↗ 1220 ... T20CW105 ...</a>	<a href="#">↗ 1221 ... T16CW100 ...</a>	<a href="#">↗ 1221 ... T9CP</a>
<a href="#">↗ 1230 ... T16CW ...</a>	<a href="#">↗ 1230 ... T16CW100 ...</a>	<a href="#">↗ 1230 ... T16CW101 ...</a>
<a href="#">↗ 1230 ... T16CW102 ...</a>	<a href="#">↗ 1230 ... T16CW103 ...</a>	<a href="#">↗ 1230 ... T16CW104 ...</a>
<a href="#">↗ 1230 ... T16CW105 ...</a>	<a href="#">↗ 1231 ... T16CW100 ...</a>	<a href="#">↗ 1231 ... T9CP</a>

M12

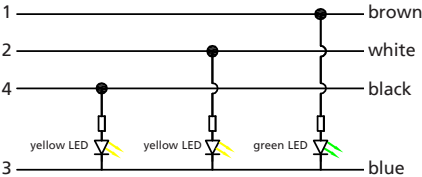
1210 1206 ... L2 3...



- ☞ 1239 ... TOCB
- ☞ 5500 04DL1 3...
- ☞ 5500 08L1 3...
- ☞ 5512 08L1
- ☞ 1250 ... T...CR
- ☞ 5500 04L1 3...
- ☞ 5512 04DL1
- ☞ 1255 ... T9CR
- ☞ 5500 08DL1 3...
- ☞ 5512 04L1

- Accessories
- ☞ 9912 CPF0
  - ☞ 9912 CPM0

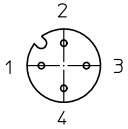
Connection diagram (PNP, normally open)



M12

1210 1206 ... L2 3...

Pin assignment for female M12 connectors, A-coded, front view



4 pole

- 1 brown
- 2 white
- 3 blue
- 4 black

- \*a O-ring gasket
- \*c operation indicator green
- \*d function indicator yellow

M12

1210 1206 ... L2 3...

Designation	Pole Number	Connected Cable	PU (Pieces)	MDQ (Pieces)	Dimensions L (mm)
1210 1206 04 L2 301 0,3m	4	PUR, black, 4 x 0.34 mm <sup>2</sup> (AWG 22), 910301, UL-style 20549	5	10	300
1210 1206 04 L2 301 1m	4	PUR, black, 4 x 0.34 mm <sup>2</sup> (AWG 22), 910301, UL-style 20549	5	10	1000
1210 1206 04 L2 301 2m	4	PUR, black, 4 x 0.34 mm <sup>2</sup> (AWG 22), 910301, UL-style 20549	5	10	2000
1210 1206 04 L2 301 5m	4	PUR, black, 4 x 0.34 mm <sup>2</sup> (AWG 22), 910301, UL-style 20549	1	10	5000

**Packaging:**  
in a plastic bag