

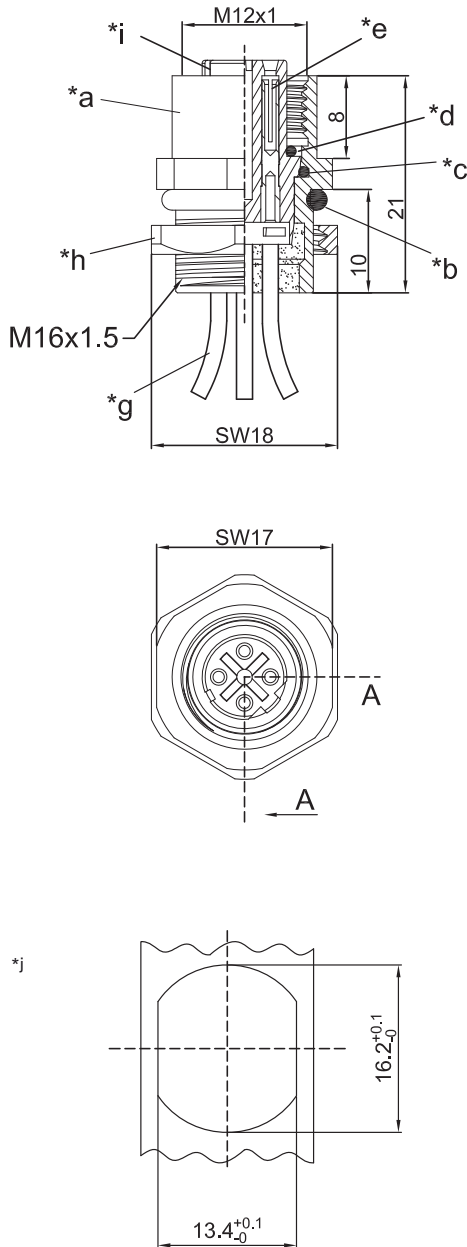
M12 1220 ...D T16CW ...

Panel Mount Connectors M12



M12 panel mount connector, female, D-coded, Industrial Ethernet, IP67, for front mounting, thread M16, with nut and stranded wires

M12 1220 ...D T16CW ...



Environmental conditions

Temperature range -25 °C/+80 °C

Materials

Insulating body	PA
Contact bush	CuZn, pre-nickel and gold-plated
Housing	CuZn, nickel-plated
Hexagonal nut	CuZn, nickel-plated
Seal	FKM/NBR

Mechanical data

Mating cycles	≥ 100
Insertion force	≤ 10 N ¹
Withdrawal force	≤ 15 N ¹
Protection class	IP67 ²

¹ measured with a proper counterpart

² according to IEC DIN EN 60529, only in locked condition with an appropriate counterpart


Electrical data (at T_{amb} 20 °C)


Contact resistance	≤ 5 mΩ
Rated current	4 A (T _{amb} 40 °C)
Rated voltage	250 V AC/DC ¹
Rated impulse voltage	2500 V ¹
Material group	I (IEC)/0 (UL) (CTI ≥ 600) ²
Overvoltage category	II ²
Insulation resistance	> 100 MΩ

¹ acc. to IEC 60664/DIN EN 60664/CTI UL classification acc. to ANSI/UL 746A

² acc. to IEC 60664/DIN EN 60664/CTI UL classification acc. to ANSI/UL 746A

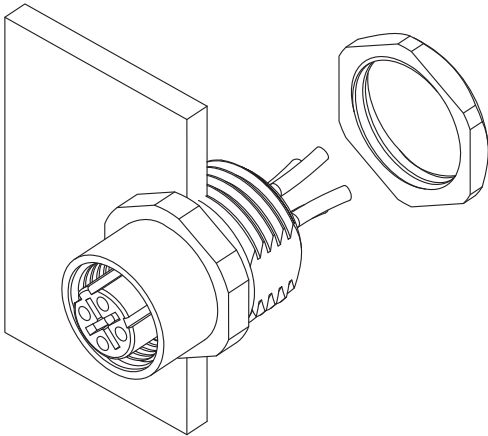
Associated products

Counterparts
 1210 ...D S9 7...

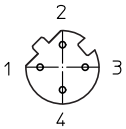
Accessories
 9912 CPF0

M12

1220 ...D T16CW ...



Pin assignment for female M12 connectors, D-coded, front view



- 4 pole
- 1 yellow
- 2 white
- 3 orange
- 4 blue

- *a housing
- *b O-ring gasket
- *c O-ring gasket
- *d O-ring gasket
- *e contact pin
- *f potting
- *g stranded wire
- *h nut
- *i insulating body
- *j port in mounting plate

M12

1220 ...D T16CW ...

Designation	Pole Number	Connected Cable	PU (Pieces)	MDQ (Pieces)	Dimensions L (mm)
1220 04D T16CW 0,5m	4	PVC, yellow/white/orange/ blue, 4 x 0.34 mm ² (AWG 22), UL-style 1007	10	10	500

Packaging:
in a plastic bag