

M12

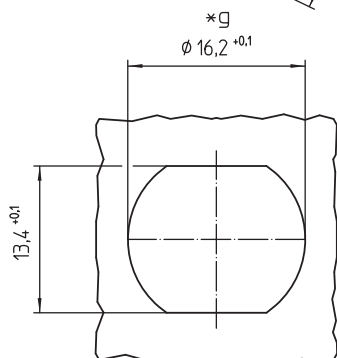
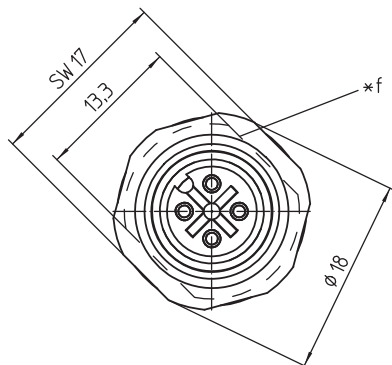
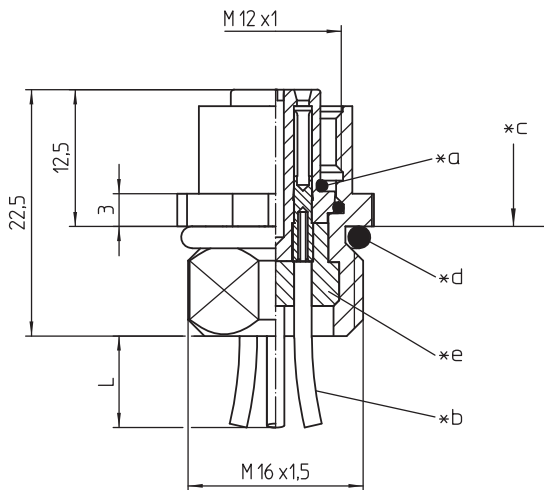
1220 ... T16CW ...

Panel Mount Connectors M12



M12 panel mount connector, female, A-coded, IP67, for front mounting, thread M16, with nut and stranded wires

**M12 1220 ... T16CW ...**



**Environmental conditions**

Temperature range -25 °C/+80 °C

**Materials**

Insulating body	PA
Contact bush	CuZn, pre-nickel and gold-plated
Housing	CuZn, nickel-plated
Hexagonal nut	CuZn, nickel-plated
Seal	FKM

**Mechanical data**

Mating cycles	$\geq 100$
Insertion force	$\leq 10 \text{ N}^1$
Withdrawal force	$\leq 15 \text{ N}^1$
Protection class	IP67 <sup>2</sup>

<sup>1</sup> measured with a proper counterpart

<sup>2</sup> according to IEC DIN EN 60529, only in locked condition with an appropriate counterpart

**Electrical data (at T<sub>amb</sub> 20 °C)**

Contact resistance	$\leq 5 \text{ m}\Omega$
Rated current	4 A (3–5 poles) 2 A (8 poles) 1.5 A (12 poles) (T <sub>amb</sub> 40 °C)
Rated voltage	250 V AC/DC (3–4 poles) 60 V AC/DC (5 poles) 30 V AC/DC (8–12 poles) <sup>1</sup>
Rated impulse voltage	2500 V (3–4 poles) 1500 V (5 poles) 800 V (8–12 poles) <sup>1</sup>
Material group	I (IEC)/0 (UL) (CTI $\geq 600$ ) <sup>2</sup>
Overvoltage category	II <sup>2</sup>
Insulation resistance	> 100 M $\Omega$

<sup>1</sup> acc. to IEC 60664/DIN EN 60664/CTI UL classification acc. to ANSI/UL 746A

<sup>2</sup> acc. to IEC 60664/DIN EN 60664/CTI UL classification acc. to ANSI/UL 746A

**Associated products**

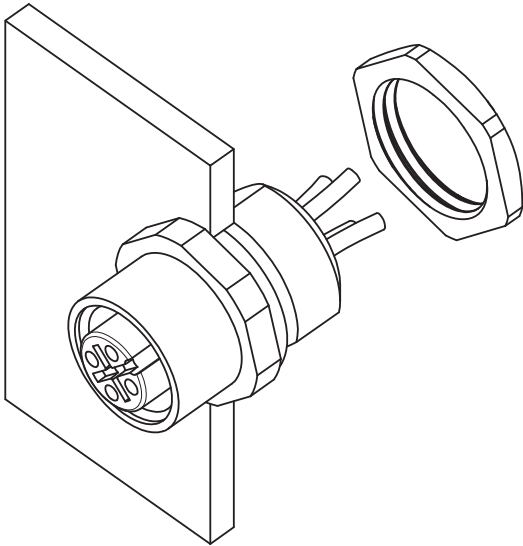
Counterparts

☞ 1210 ... 0...	☞ 1210 ... 3...	☞ 1210 0800 ... 3...
☞ 1210 0806 ... L1 3...	☞ 1210 1200 ... 0...	☞ 1210 1200 ... 3...
☞ 1210 1205 ... 3...	☞ 1210 1206 ... L1 0...	☞ 1210 1206 ... L1 3...
☞ 1210 1206 ... L2 0...	☞ 1210 1206 ... L2 3...	☞ 1250 ... T...CR
☞ 1255 ... T9CR		

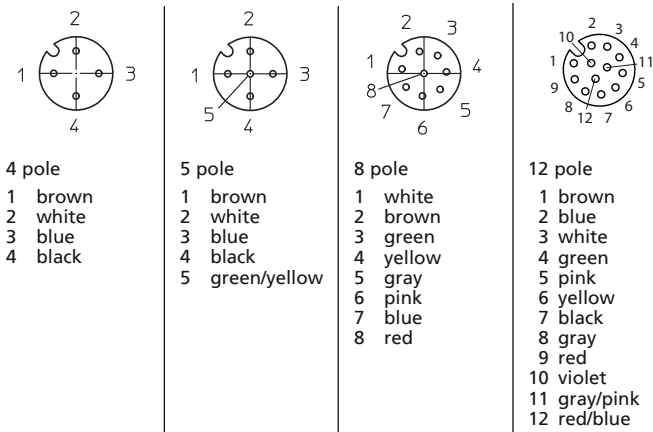
Accessories

☞ 9912 CPFO

**M12** 1220 ... T16CW ...



Pin assignment for female M12 connectors, A-coded, front view



M12 1220 ... T16CW ...

- 
- \*a O-ring gasket
  - \*b stranded wire
  - \*c mounting direction
  - \*d O-ring gasket
  - \*e contact area potted
  - \*f anti-rotation
  - \*g port in mounting plate

M12

1220 ... T16CW ...

Designation	Pole Number	Connected Cable	PU (Pieces)	MDQ (Pieces)	Dimensions
					L (mm)
1220 04 T16CW 0,5m	4	PVC, brown/white/blue/black, 4 x 0.34 mm <sup>2</sup> (AWG 22), UL-style 1007	10	10	500
1220 04 T16CW 1m	4	PVC, brown/white/blue/black, 4 x 0.34 mm <sup>2</sup> (AWG 22), UL-style 1007	10	10	1000
1220 05 T16CW 0,5m	5	PVC, brown/white/blue/black/green-yellow, 4 x 0.34 mm <sup>2</sup> (AWG 22)/1 x 0.5 mm <sup>2</sup> (AWG 20), UL-style 1007	10	10	500
1220 08 T16CW 0,5m	8	PVC, white/brown/green/yellow/grey/pink/blue/red, 8 x 0.25 mm <sup>2</sup> (AWG 24), UL-style 1007	10	10	500
1220 12 T16CW 0,5m	12	PVC, brown/blue/white/green/pink/yellow/black/gray/red/violet/gray-pink/ red-blue, 12 x 0.14 mm <sup>2</sup> (AWG 26), UL-style 1007	10	10	500

**Packaging:**  
in a plastic bag