

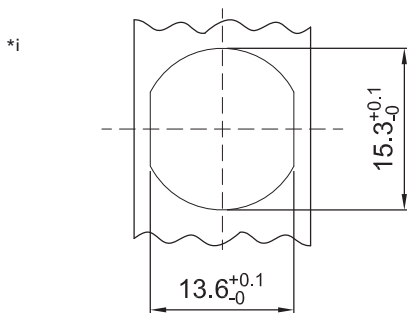
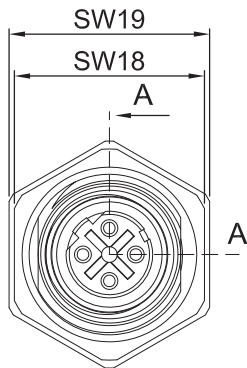
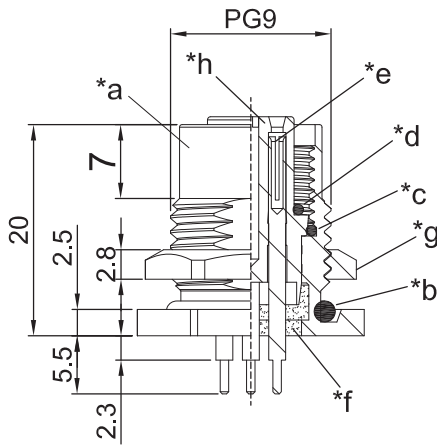
M12 1221 ...D T9CP

## Panel Mount Connectors M12



M12 panel mount connector, female, D-coded, Industrial Ethernet, IP67, for rear side mounting, thread PG9, with nut, for printed circuit boards

**M12 1221 ...D T9CP**



**Environmental conditions**

Temperature range -25 °C/+80 °C

**Materials**

Insulating body	PA
Contact bush	CuZn, pre-nickel and gold-plated
Housing	CuZn, nickel-plated
Hexagonal nut	CuZn, nickel-plated
Seal	FKM/NBR

**Mechanical data**

Mating cycles	≥ 100
Insertion force	≤ 10 N <sup>1</sup>
Withdrawal force	≤ 15 N <sup>1</sup>
Protection class	IP67 <sup>2</sup>

<sup>1</sup> measured with a proper counterpart

<sup>2</sup> according to IEC DIN EN 60529, only in locked condition with an appropriate counterpart


**Electrical data (at T<sub>amb</sub> 20 °C)**


Contact resistance	≤ 5 mΩ
Rated current	4 A (T <sub>amb</sub> 40 °C)
Rated voltage	250 V AC/DC <sup>1</sup>
Rated impulse voltage	2500 V <sup>1</sup>
Material group	I (IEC)/0 (UL) (CTI ≥ 600) <sup>2</sup>
Overvoltage category	II <sup>2</sup>
Insulation resistance	> 100 MΩ

<sup>1</sup> acc. to IEC 60664/DIN EN 60664/CTI UL classification acc. to ANSI/UL 746A

<sup>2</sup> acc. to IEC 60664/DIN EN 60664/CTI UL classification acc. to ANSI/UL 746A

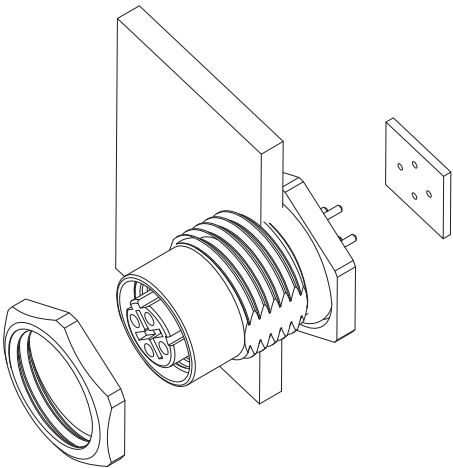
**Associated products**

Counterparts  
 1210 ...D S9 7...

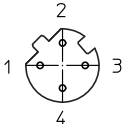
Accessories  
 9912 CPF0

M12

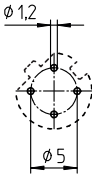
1221 ...D T9CP



Pin assignment and printed circuit board layouts for female M12 connectors, D-coded, front view, components side view of printed circuit board



4 pole



M12

1221 ...D T9CP

- 
- \*a housing
  - \*b O-ring gasket
  - \*c O-ring gasket
  - \*d O-ring gasket
  - \*e contact bush
  - \*f potting
  - \*g nut
  - \*h insulating body
  - \*i port in mounting plate

M12

1221 ...D T9CP

Designation	Pole Number	PU (Pieces)	MDQ (Pieces)
1221 04D T9CP	4	10	10

**Packaging:**  
in a plastic bag