

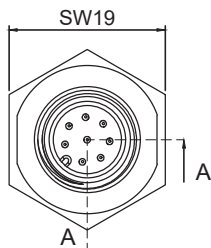
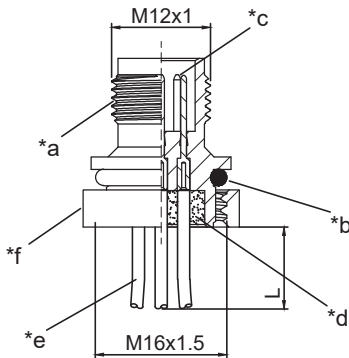
M12 1230 ... T16CW101 ...

## Panel Mount Connectors M12

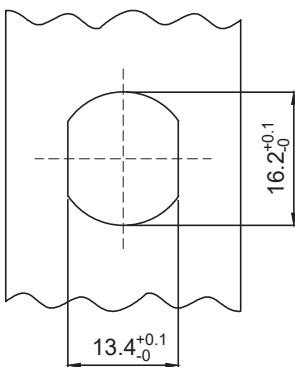


M12 panel mount connector, male, A-coded, IP67, for front mounting, thread M16, with nut and stranded wires, with plastic housing, white

**M12** 1230 ... T16CW101 ...



\*g



**Environmental conditions**

Temperature range -25 °C/+80 °C

**Materials**

Insulation body/housing PA  
Contact pin CuZn, pre-nickel and gold-plated  
Hexagonal nut PA  
Seal FKM

**Mechanical data**

Mating cycles  $\geq 100$   
Insertion force  $\leq 10 \text{ N}^1$   
Withdrawal force  $\leq 15 \text{ N}^1$   
Protection class IP67<sup>2</sup>

<sup>1</sup> measured with a proper counterpart

<sup>2</sup> according to IEC DIN EN 60529, only in locked condition with an appropriate counterpart

**Electrical data (at T<sub>amb</sub> 20 °C)**

Contact resistance  $\leq 5 \text{ m}\Omega$   
Rated current 4 A (3–5 poles)  
2 A (8 poles)  
1.5 A (12 poles)  
(T<sub>amb</sub> 40 °C)  
Rated voltage 250 V AC/DC (3–4 poles)  
60 V AC/DC (5 poles)  
30 V AC/DC (8–12 poles)<sup>1</sup>  
Rated impulse voltage 2500 V (3–4 poles)  
1500 V (5 poles)  
800 V (8–12 poles)<sup>1</sup>  
Material group I (IEC)/0 (UL) (CTI  $\geq 600$ )<sup>2</sup>  
Overvoltage category II<sup>2</sup>  
Insulation resistance > 100 M $\Omega$

<sup>1</sup> acc. to IEC 60664/DIN EN 60664/CTI UL classification acc. to ANSI/UL 746A

<sup>2</sup> acc. to IEC 60664/DIN EN 60664/CTI UL classification acc. to ANSI/UL 746A

**Associated products**

**Counterparts**

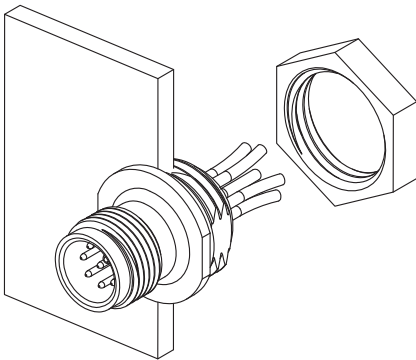
☞ 1200 ... 0...	☞ 1200 ... 3...	☞ 1205 ... 0...
☞ 1205 ... 3...	☞ 1206 ... L1 0...	☞ 1206 ... L1 3...
☞ 1206 ... L2 0...	☞ 1206 ... L2 3...	☞ 1210 1200 ... 0...
☞ 1210 1200 ... 3...	☞ 1210 1205 ... 3...	☞ 1210 1206 ... L1 0...
☞ 1210 1206 ... L1 3...	☞ 1210 1206 ... L2 0...	☞ 1210 1206 ... L2 3...

**Accessories**

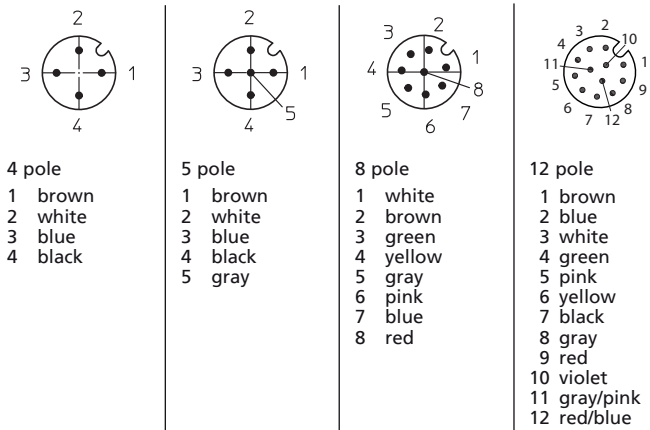
☞ 9912 CPM0

M12

1230 ... T16CW101 ...



Pin assignment for male M12 connectors, A-coded, front view



- \*a insulating body/housing
- \*b O-ring gasket
- \*c contact pin
- \*d potting
- \*e stranded wire
- \*f nut
- \*g port in mounting plate

M12

1230 ... T16CW101 ...

Designation	Pole Number	Connected Cable	PU (Pieces)	MDQ (Pieces)	Dimensions L (mm)
1230 04 T16CW101 0,5m	4	PVC, brown/white/blue/black, 4 x 0.34 mm <sup>2</sup> (AWG 22), UL-style 1007	10	10	500
1230 05 T16CW101 0,5m	5	PVC, brown/white/blue/black/gray, 5 x 0.34 mm <sup>2</sup> (AWG 22), UL- style 1007	10	10	500

**Packaging:**  
in a plastic bag