

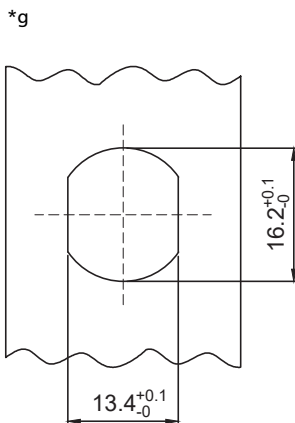
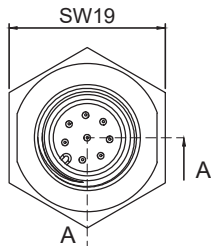
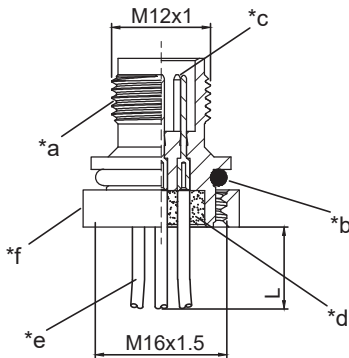
M12 1230 ... T16CW102 ...

## Panel Mount Connectors M12



M12 panel mount connector, male, A-coded, IP67, for front mounting, thread M16, with nut and stranded wires, with plastic housing, yellow

**M12** 1230 ... T16CW102 ...



**Environmental conditions**

Temperature range -25 °C/+80 °C

**Materials**

Insulation body/housing PA  
 Contact pin CuZn, pre-nickel and gold-plated  
 Hexagonal nut PA  
 Seal FKM

**Mechanical data**

Mating cycles  $\geq 100$   
 Insertion force  $\leq 10 \text{ N}^1$   
 Withdrawal force  $\leq 15 \text{ N}^1$   
 Protection class IP67<sup>2</sup>

<sup>1</sup> measured with a proper counterpart

<sup>2</sup> according to IEC DIN EN 60529, only in locked condition with an appropriate counterpart

**Electrical data (at T<sub>amb</sub> 20 °C)**

Contact resistance  $\leq 5 \text{ m}\Omega$   
 Rated current 4 A (3–5 poles)  
 2 A (8 poles)  
 1.5 A (12 poles)  
 (T<sub>amb</sub> 40 °C)  
 Rated voltage 250 V AC/DC (3–4 poles)  
 60 V AC/DC (5 poles)  
 30 V AC/DC (8–12 poles)<sup>1</sup>  
 Rated impulse voltage 2500 V (3–4 poles)  
 1500 V (5 poles)  
 800 V (8–12 poles)<sup>1</sup>  
 Material group I (IEC)/0 (UL) (CTI  $\geq 600$ )<sup>2</sup>  
 Overvoltage category II<sup>2</sup>  
 Insulation resistance > 100 M $\Omega$

<sup>1</sup> acc. to IEC 60664/DIN EN 60664/CTI UL classification acc. to ANSI/UL 746A

<sup>2</sup> acc. to IEC 60664/DIN EN 60664/CTI UL classification acc. to ANSI/UL 746A

**Associated products**

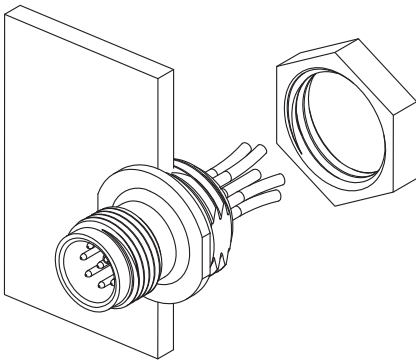
**Counterparts**

|                         |                         |                         |
|-------------------------|-------------------------|-------------------------|
| ☞ 1200 ... 0...         | ☞ 1200 ... 3...         | ☞ 1205 ... 0...         |
| ☞ 1205 ... 3...         | ☞ 1206 ... L1 0...      | ☞ 1206 ... L1 3...      |
| ☞ 1206 ... L2 0...      | ☞ 1206 ... L2 3...      | ☞ 1210 1200 ... 0...    |
| ☞ 1210 1200 ... 3...    | ☞ 1210 1205 ... 3...    | ☞ 1210 1206 ... L1 0... |
| ☞ 1210 1206 ... L1 3... | ☞ 1210 1206 ... L2 0... | ☞ 1210 1206 ... L2 3... |

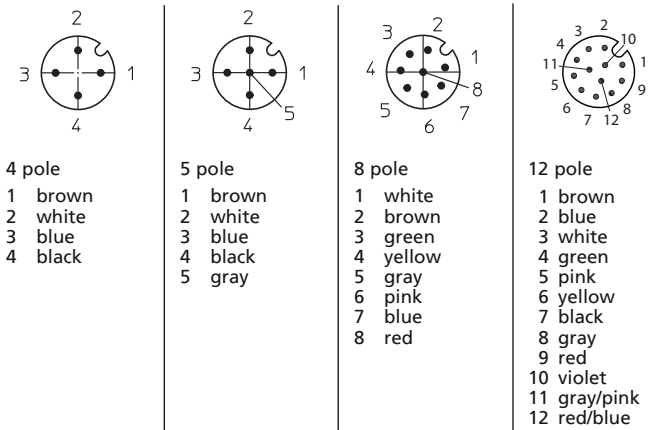
**Accessories**

☞ 9912 CPM0

**M12** 1230 ... T16CW102 ...



Pin assignment for male M12 connectors, A-coded, front view



- \*a insulating body/housing
- \*b O-ring gasket
- \*c contact pin
- \*d potting
- \*e standed wire
- \*f nut
- \*g port in mounting plate

M12

1230 ... T16CW102 ...

| Designation           | Pole Number | Connected Cable   | PU (Pieces) | MDQ (Pieces) | Dimensions<br>L (mm) |
|-----------------------|-------------|---|-------------|--------------|----------------------|
| 1230 04 T16CW102 0,5m | 4           | PVC, brown/white/blue/black,<br>4 x 0.34 mm <sup>2</sup> (AWG 22),<br>UL-style 1007       | 10          | 10           | 500                  |
| 1230 05 T16CW102 0,5m | 5           | PVC, brown/white/blue/black/gray,<br>5 x 0.34 mm <sup>2</sup> (AWG 22), UL-<br>style 1007 | 10          | 10           | 500                  |

**Packaging:**  
in a plastic bag