

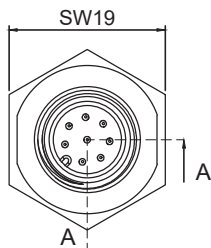
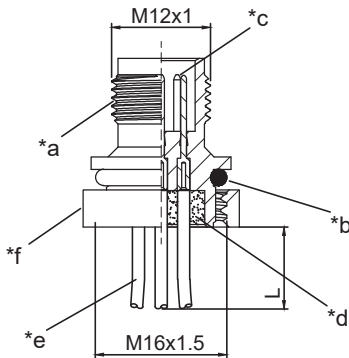
M12 1230 ... T16CW103 ...

Panel Mount Connectors M12

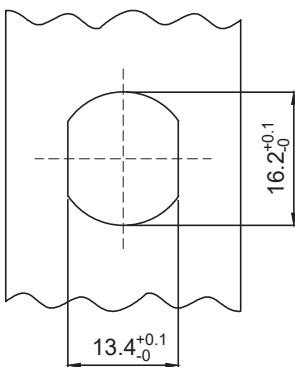


M12 panel mount connector, male, A-coded, IP67, for front mounting, thread M16, with nut and stranded wires, with plastic housing, red

M12 1230 ... T16CW103 ...



*g



Environmental conditions

Temperature range -25 °C/+80 °C

Materials

Insulation body/housing PA
Contact pin CuZn, pre-nickel and gold-plated
Hexagonal nut PA
Seal FKM

Mechanical data

Mating cycles ≥ 100
Insertion force $\leq 10 \text{ N}^1$
Withdrawal force $\leq 15 \text{ N}^1$
Protection class IP67²

¹ measured with a proper counterpart

² according to IEC DIN EN 60529, only in locked condition with an appropriate counterpart

Electrical data (at T_{amb} 20 °C)

Contact resistance $\leq 5 \text{ m}\Omega$
Rated current 4 A (3–5 poles)
2 A (8 poles)
1.5 A (12 poles)
(T_{amb} 40 °C)
Rated voltage 250 V AC/DC (3–4 poles)
60 V AC/DC (5 poles)
30 V AC/DC (8–12 poles)¹
Rated impulse voltage 2500 V (3–4 poles)
1500 V (5 poles)
800 V (8–12 poles)¹
Material group I (IEC)/0 (UL) (CTI ≥ 600)²
Overvoltage category II²
Insulation resistance > 100 M Ω

¹ acc. to IEC 60664/DIN EN 60664/CTI UL classification acc. to ANSI/UL 746A

² acc. to IEC 60664/DIN EN 60664/CTI UL classification acc. to ANSI/UL 746A

Associated products

Counterparts

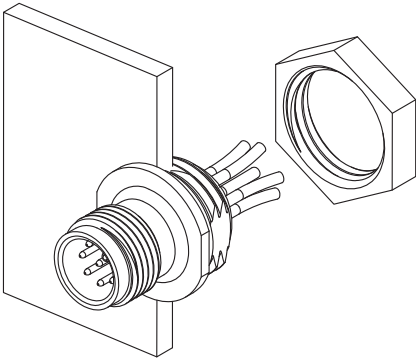
| | | |
|-------------------------|-------------------------|-------------------------|
| ☞ 1200 ... 0... | ☞ 1200 ... 3... | ☞ 1205 ... 0... |
| ☞ 1205 ... 3... | ☞ 1206 ... L1 0... | ☞ 1206 ... L1 3... |
| ☞ 1206 ... L2 0... | ☞ 1206 ... L2 3... | ☞ 1210 1200 ... 0... |
| ☞ 1210 1200 ... 3... | ☞ 1210 1205 ... 3... | ☞ 1210 1206 ... L1 0... |
| ☞ 1210 1206 ... L1 3... | ☞ 1210 1206 ... L2 0... | ☞ 1210 1206 ... L2 3... |

Accessories

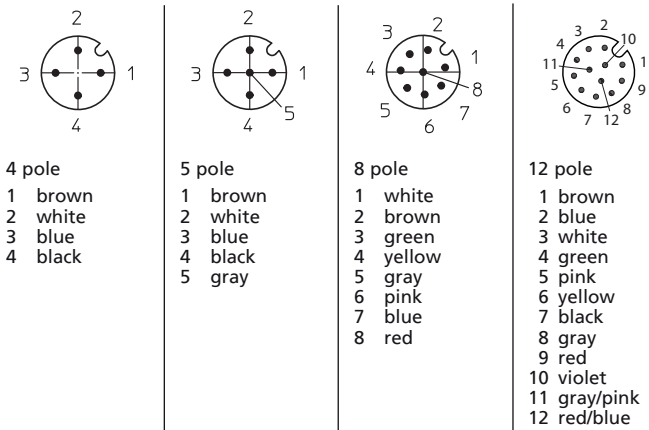
☞ 9912 CPM0

M12

1230 ... T16CW103 ...



Pin assignment for male M12 connectors, A-coded, front view



- *a insulating body/housing
- *b O-ring gasket
- *c contact pin
- *d potting
- *e standed wire
- *f nut
- *g port in mounting plate

M12

1230 ... T16CW103 ...

| Designation | Pole Number | Connected Cable | PU (Pieces) | MDQ (Pieces) | Dimensions L (mm) |
|-----------------------|-------------|---|-------------|--------------|----------------------|
| 1230 04 T16CW103 0,5m | 4 | PVC, brown/white/blue/black, 4 x 0.34 mm ² (AWG 22), UL-style 1007 | 10 | 10 | 500 |
| 1230 05 T16CW103 0,5m | 5 | PVC, brown/white/blue/black/gray, 5 x 0.34 mm ² (AWG 22), UL- style 1007 | 10 | 10 | 500 |

Packaging:
 in a plastic bag