

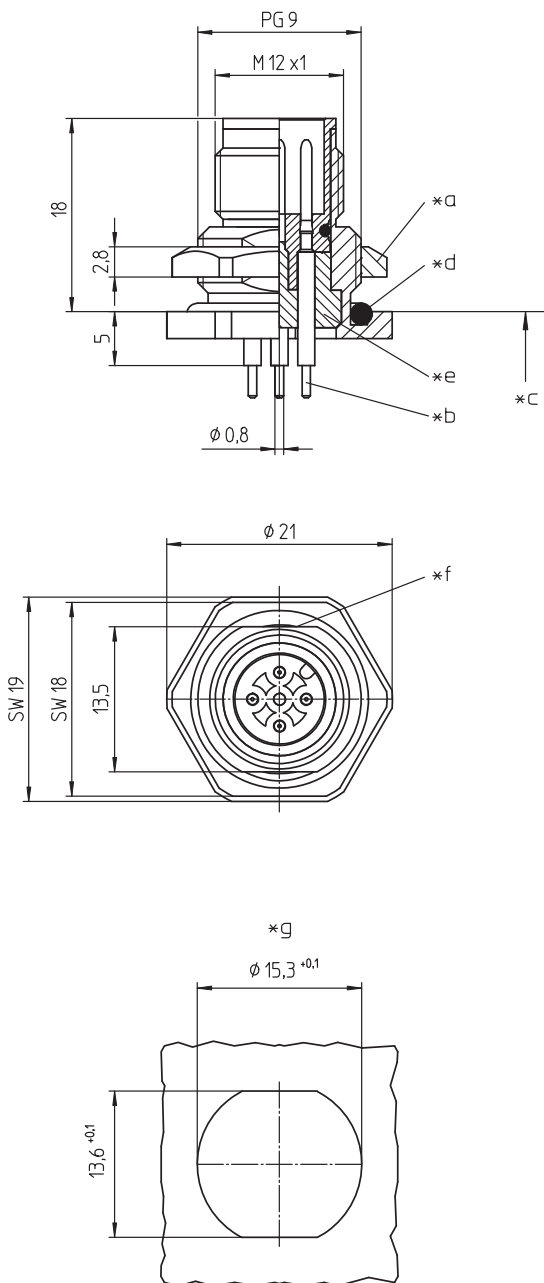
M12 1231 ... T9CP

Panel Mount Connectors M12



M12 panel mount connector, male, A-coded, IP67, for rear side mounting, thread PG9, with nut, for printed circuit boards

M12 1231 ... T9CP



Environmental conditions

Temperature range -25 °C/+80 °C

Materials

Insulating body	PA
Contact pin	CuZn, pre-nickel and gold-plated
Housing	CuZn, nickel-plated
Hexagonal nut	CuZn, nickel-plated
Seal	FKM

Mechanical data

Mating cycles	≥ 100
Insertion force	≤ 10 N ¹
Withdrawal force	≤ 15 N ¹
Protection class	IP67 ²

¹ measured with a proper counterpart

² according to IEC DIN EN 60529, only in locked condition with an appropriate counterpart

Electrical data (at T_{amb} 20 °C)

Contact resistance	≤ 5 mΩ
Rated current	4 A (3–5 poles) 2 A (8 poles) 1.5 A (12 poles) (T _{amb} 40 °C)
Rated voltage	250 V AC/DC (3–4 poles) 60 V AC/DC (5 poles) 30 V AC/DC (8–12 poles) ¹
Rated impulse voltage	2500 V (3–4 poles) 1500 V (5 poles) 800 V (8–12 poles) ¹
Material group	I (IEC)/0 (UL) (CTI ≥ 600) ²
Overvoltage category	II ²
Insulation resistance	> 100 MΩ

¹ acc. to IEC 60664/DIN EN 60664/CTI UL classification acc. to ANSI/UL 746A

² acc. to IEC 60664/DIN EN 60664/CTI UL classification acc. to ANSI/UL 746A

Associated products

Counterparts

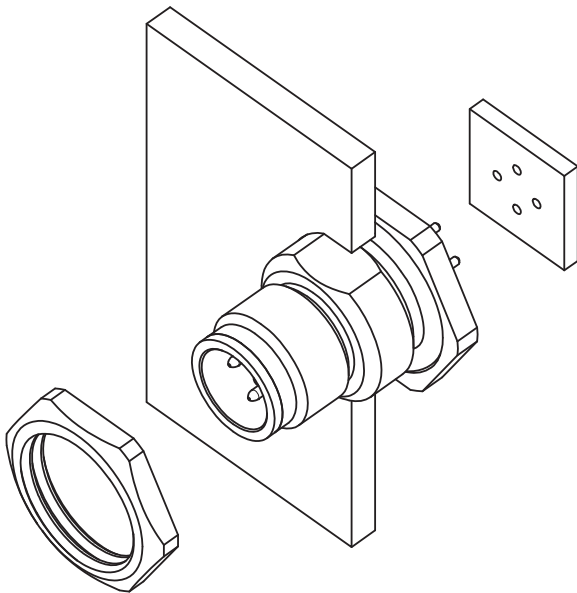
☞ 1200 ... 0...	☞ 1200 ... 3...	☞ 1205 ... 0...
☞ 1205 ... 3...	☞ 1206 ... L1 0...	☞ 1206 ... L1 3...
☞ 1206 ... L2 0...	☞ 1206 ... L2 3...	☞ 1210 1200 ... 0...
☞ 1210 1200 ... 3...	☞ 1210 1205 ... 3...	☞ 1210 1206 ... L1 0...
☞ 1210 1206 ... L1 3...	☞ 1210 1206 ... L2 0...	☞ 1210 1206 ... L2 3...

Accessories

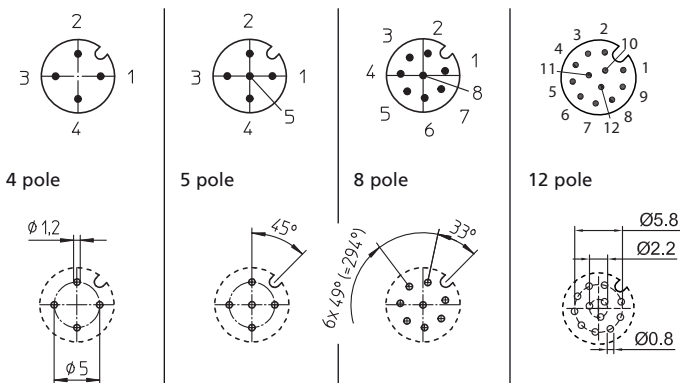
☞ 9912 CPM0

M12

1231 ... T9CP



Pin assignment and printed circuit board layouts for male M12 connectors, A-coded, front view, components side view of printed circuit board



M12

1231 ... T9CP

-
- *a nut
 - *b solder pin for bore hole in printed circuit board $\varnothing 1,2$ mm
 - *c mounting direction
 - *d O-ring gasket
 - *e contact area potted
 - *f anti-rotation
 - *g port in mounting plate

M12

1231 ... T9CP

Designation	Pole Number	PU (Pieces)	MDQ (Pieces)
1231 04 T9CP	4	10	10
1231 05 T9CP	5	10	10
1231 08 T9CP	8	10	10
1231 12 T9CP	12	10	10

Packaging:
in a plastic bag