

02

2350 ... T06CB T

Field-attachable Connectors Quicklock



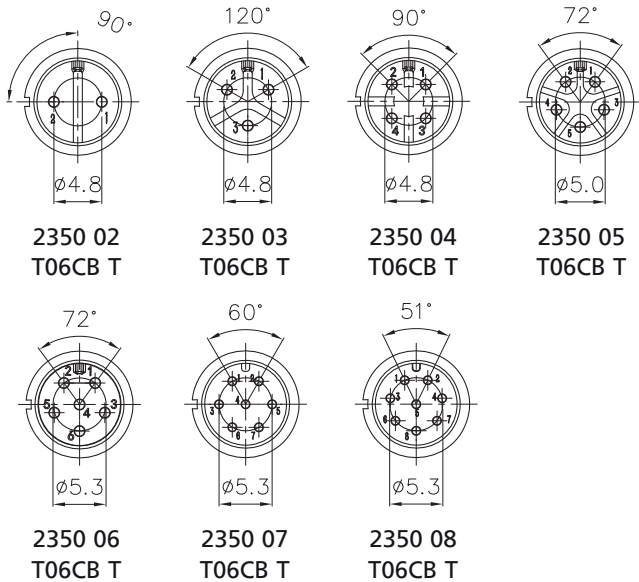
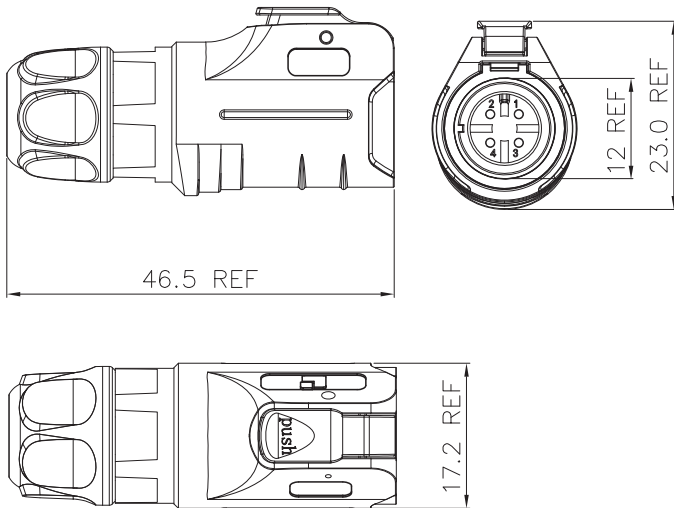
Quicklock plug with locking latch, IP67, size 12, straight version, with plastic housing and solder terminals

Approvals:



02

2350 ... T06CB T



Environmental conditions

Temperature range -40 °C/+80 °C

Materials

Insulating body PBT, V-0 according to UL94
 Contact pin CuZn, gold-plated
 Housing PBT, V-0 according to UL94¹
 Locking Zn-alloy, chrome-plated
 Cap nut PBT, V-0 according to UL94¹

¹ outdoor sustainable (F1 according to UL 746C)

Mechanical data

Protection class IP67¹

¹ only in locked condition with an appropriate counterpart

Connectable conductors for solder area

Section 0.34–0.75 mm²/AWG 22–20 (2–6 poles)
 0.25–0.34 mm²/AWG 24–22 (7–8 poles)
 Cable diameter 4.0–5.5 mm (state of delivery)
 3.0–4.5 mm (with accessory 9923 SL4,5)
 5.0–6.0 mm (with accessory 9923 SL6)

Electrical data (at T_{amb} 20 °C)

Rated current 5 A (2–6 poles)
 3 A (7–8 poles)
 Rated voltage 125 V AC/DC (2–6 poles)
 100 V AC/DC (7–8 poles)
 Rated impulse voltage 1500 V AC (2–6 poles)
 1000 V AC (7–8 poles)
 Creepage distance ≥ 1,5 mm
 Clearance ≥ 0,5 mm
 Insulation resistance > 500 MΩ

Associated products

Counterparts
 ↗ 2320 ... T12CB100 ↗ 2340 ... T06CB A

Accessories
 ↗ 9923 CPMF0 ↗ 9923 SL4,5 ↗ 9923 SL6

02

2350 ... T06CB T

Designation	Pole Number	PU (Pieces)	MDQ (Pieces)
2350 02 T06CB T	2	15	60
2350 03 T06CB T	3	15	60
2350 04 T06CB T	4	15	60
2350 05 T06CB T	5	15	60
2350 06 T06CB T	6	15	60
2350 07 T06CB T	7	15	60
2350 08 T06CB T	8	15	60

Packaging:

in individual plastic bags, in a cardboard box