

02

2430 ... T18CB100

Panel Mount Connectors Quicklock

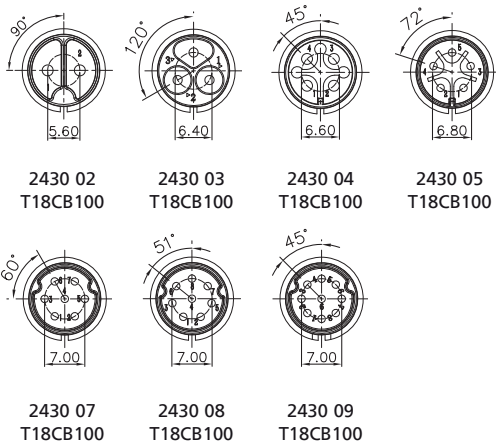
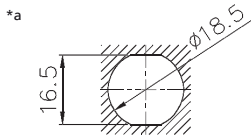
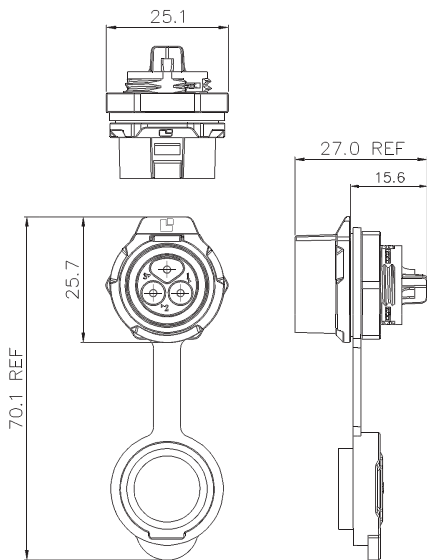


Quicklock chassis plug, IP67, size 16, straight version, with plastic housing, solder terminals and protecting cap (IP65)

Approvals:  

02

2430 ... T18CB100



*a port maximum wall thickness 4.5 mm

Environmental conditions

Temperature range -40 °C/+80 °C

Materials

Insulating body PBT, V-0 according to UL94
 Contact pin CuZn, gold-plated
 Housing PBT, V-0 according to UL94¹
 Cap SI
 Hexagonal nut PBT, V-0 according to UL94

¹ outdoor sustainable (F1 according to UL 746C)

Mechanical data

Protection class IP67 (protecting cap IP65)¹

¹ only in locked condition with an appropriate counterpart

Connectable conductors for solder area

Section 0.8–1.3 mm²/AWG 18–16 (2–4 poles)
 0.34–0.5 mm²/AWG 22–20 (5–7 poles)
 0.25–0.34 mm²/AWG 24–22 (8–9 poles)

Electrical data (at T_{amb} 20 °C)

Rated current 10 A (2–4 poles)
 5 A (5–9 poles)
 Rated voltage 400 V (2–4 poles)
 250 V (5–9 poles)
 Rated impulse voltage 2500 V AC (2–4 poles)
 1500 V AC (5–9 poles)
 Creepage distance ≥ 2 mm
 Clearance ≥ 2 mm
 Insulation resistance > 500 MΩ

Associated products

Counterparts
 ☞ 2440 ... T09CB T

02

2430 ... T18CB100

Designation	Pole Number	PU (Pieces)	MDQ (Pieces)
2430 02 T18CB100	2	10	50
2430 03 T18CB100	3	10	50
2430 04 T18CB100	4	10	50
2430 05 T18CB100	5	10	50
2430 07 T18CB100	7	10	50
2430 08 T18CB100	8	10	50
2430 09 T18CB100	9	10	50

Packaging:

in individual plastic bags, in a cardboard box