

02

2650 ... T12CB T

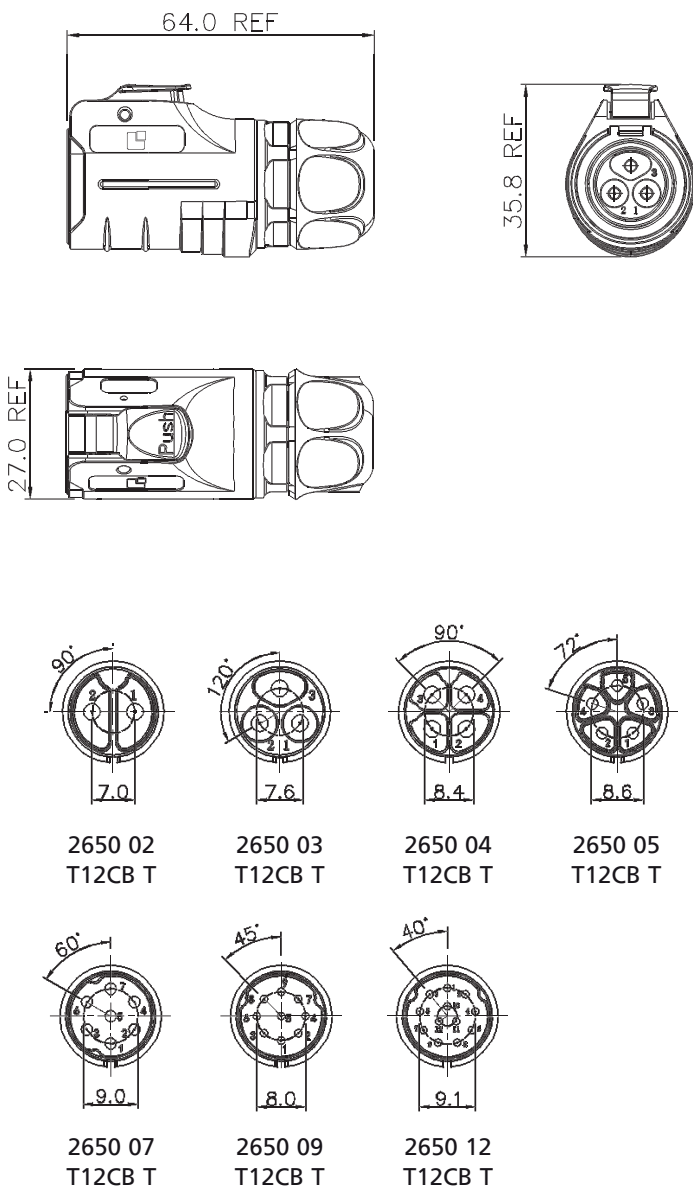
Field-attachable Connectors Quicklock



Quicklock plug with locking latch, IP67, size 20, straight version, with plastic housing and solder terminals

Approvals:  

02 2650 ... T12CB T



Environmental conditions

Temperature range -40 °C/+80 °C

Materials

Insulating body PBT, V-0 according to UL94
 Contact pin CuZn, gold-plated
 Housing PBT, V-0 according to UL94¹
 Locking Zn-alloy, chrome-plated
 Cap nut PBT, V-0 according to UL94¹

¹ outdoor sustainable (F1 according to UL 746C)

Mechanical data

Protection class IP67¹

¹ only in locked condition with an appropriate counterpart

Connectable conductors for solder area

Section 2.5–4.0 mm²/AWG 14–12 (2–4 poles)
 1.0–1.5 mm²/AWG 18–16 (5–7 poles)
 0.34–0.75 mm²/AWG 22–20 (9–12 poles)
 Cable diameter 10.0–12.0 mm (state of delivery 2–7 poles)
 5.0–6.5 mm (state of delivery 9–12 poles)
 5.0–6.5 mm (with accessory 9926 SL6,5)
 8.5–10.5 mm (with accessory 9926 SL10,5)
 10.0–12.0 mm (with accessory 9926 SL12)

Electrical data (at T_{amb} 20 °C)

Rated current 20 A (2–4 poles)
 12 A (5–7 poles)
 5 A (9–12 poles)
 Rated voltage 500 V (2–7 poles)
 250 V (9–12 poles)
 Rated impulse voltage 2500 V AC (2–7 poles)
 1500 V AC (9–12 poles)
 Creepage distance ≥ 2 mm
 Clearance ≥ 2 mm
 Insulation resistance > 500 MΩ
 Important note The connector must not be connected or disconnected under load.

02

2650 ... T12CB T

Associated products

Counterparts

[↗ 2620 ... T22CB100](#) [↗ 2640 ... T12CB A](#)

Accessories

[↗ 9926 CPMF0](#) [↗ 9926 SL10,5](#) [↗ 9926 SL12](#)
[↗ 9926 SL6,5](#)

02

2650 ... T12CB T

Designation	Pole Number	PU (Pieces)	MDQ (Pieces)
2650 02 T12CB T	2	10	40
2650 03 T12CB T	3	10	40
2650 04 T12CB T	4	10	40
2650 05 T12CB T	5	10	40
2650 07 T12CB T	7	10	40
2650 09 T12CB T	9	10	40
2650 12 T12CB T	12	10	40

Packaging:

in individual plastic bags, in a cardboard box