

02

2830 ... TF1C...

## Panel Mount Connectors Quicklock



Quicklock flange chassis plug, IP67, size 28, straight version, with metal housing, screw clamps and protecting cap (IP65)

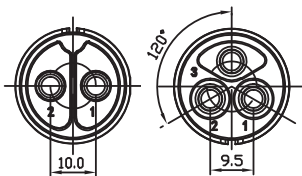
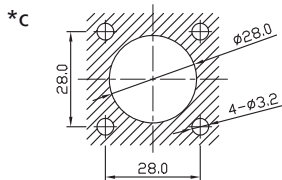
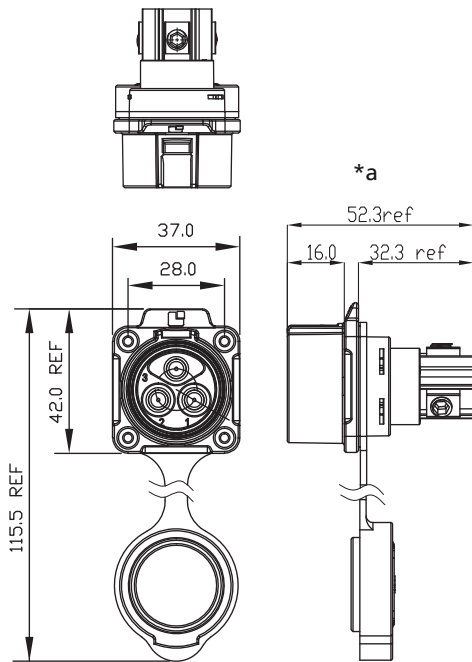
---

Approvals:  

---

02

2830 ... TF1C...



2830 02  
TF1CR

2830 03  
TF1CR

\*a 2 and 3 pole versions with screw clamps  
\*c port

#### Environmental conditions

Temperature range -40 °C/+80 °C

#### Materials

|                 |                            |
|-----------------|----------------------------|
| Insulating body | PBT, V-0 according to UL94 |
| Contact pin     | CuZn, gold-plated          |
| Housing         | Zn alloy, chrome-plated    |
| Cap             | SI                         |

#### Mechanical data

Protection class IP67 (protecting cap IP65)<sup>1</sup>

<sup>1</sup> only in locked condition with an appropriate counterpart

#### Connectable conductors for screw clamp

Section 2.5–16.0 mm<sup>2</sup>/AWG 14–6

#### Electrical data (at T<sub>amb</sub> 20 °C)

|                       |   |
|-----------------------|---|
| Rated current         | 50 A (2 poles)<br>43 A (3 poles)                                |
| Rated voltage         | 500 V AC  |
| Rated impulse voltage | ≤ 2500 V  |
| Creepage distance     | ≥ 2 mm  |
| Clearance             | ≥ 2 mm  |
| Insulation resistance | > 500 MΩ  |
| Important note        | The connector must not be connected or disconnected under load. |

#### Associated products

Counterparts  
☞ 2840 ... T20C... T

02

2830 ... TF1C...

| Designation   | Pole Number | PU (Pieces) | MDQ (Pieces) |
|---------------|-------------|-------------|--------------|
| 2830 02 TF1CR | 2           | 4           | 20           |
| 2830 03 TF1CR | 3           | 4           | 20           |

**Packaging:**

in individual plastic bags, in a cardboard box