

M8 5012 02 MFF

Passive Actuator/Sensor Distribution Boxes M8

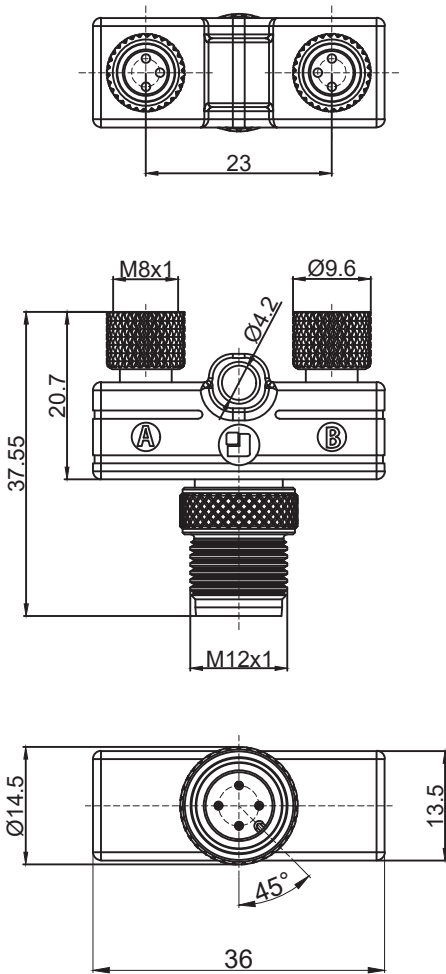


M8 Y-splitter, with two female M8 connectors, IP67

Main connection:

male M12 connector

M8 5012 02 MFF



Environmental conditions

Temperature range -25 °C/+90 °C

Materials

Insulating body	TPU
Contact	CuZn, pre-nickel and gold-plated
Overmolding/handle	PUR
Knurled screw	CuZn, nickel-plated
Knurled nut	CuZn, nickel-plated
O-ring gasket	FKM

Mechanical data

Protection class IP67¹

¹ according to DIN EN 60529, only in locked position with proper counterparts or protective caps

Electrical data (at T_{amb} 20 °C)

Contact resistance	≤ 5 mΩ
Rated current	4 A per port 4 A total (T _{amb} 40 °C)
Nominal voltage	60 V
Rated voltage	63 V
Rated impulse voltage	0.8 kV/60 s (M8) 1.5 kV/60 s (M12)
Pollution degree	3
Insulation resistance	> 10 GΩ

Associated products

Counterparts

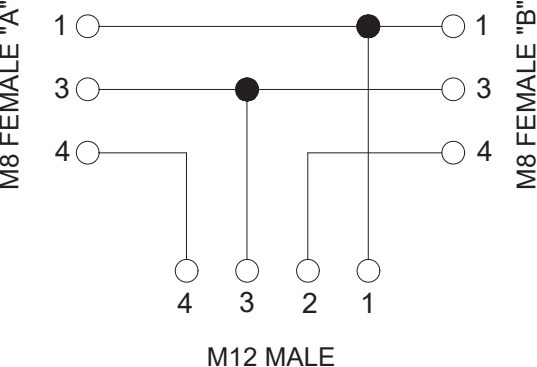
☞ 0810 ... 0...	☞ 0810 ... 3...	☞ 0810 0800 ... 0...
☞ 0810 0800 ... 3...	☞ 0810 0805 ... 3...	☞ 0810 0806 ... L1 3...
☞ 0815 ... 0...	☞ 0815 ... 3...	☞ 1200 ... 0...
☞ 1200 ... 3...	☞ 1205 ... 0...	☞ 1205 ... 3...
☞ 1206 ... L1 0...	☞ 1206 ... L1 3...	☞ 1206 ... L2 0...
☞ 1206 ... L2 3...	☞ 1210 1200 ... 0...	☞ 1210 1200 ... 3...
☞ 1210 1205 ... 3...	☞ 1210 1206 ... L1 0...	☞ 1210 1206 ... L1 3...
☞ 1210 1206 ... L2 0...	☞ 1210 1206 ... L2 3...	☞ 1240 ... T...CR
☞ 1245 ... T9CR	☞ 5500 04DL1 3...	☞ 5500 04L1 3...
☞ 5500 08DL1 3...	☞ 5500 08L1 3...	☞ 5512 04DL1
☞ 5512 04L1	☞ 5512 08L1	

Accessories

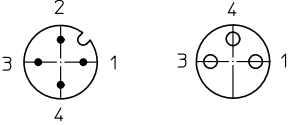
☞ 9908 CPF0	☞ 9912 CPM0
-------------	-------------

M8 5012 02 MFF

Wiring diagram



Pin assignment of male M12 and female M8 connectors



M8 5012 02 MFF

Designation	Pole Number	PU (Pieces)	MDQ (Pieces)
5012 02 MFF	4/3	10	10

Packaging:
in a cardboard box