

M8 5012 08L1

Passive Actuator/Sensor Distribution Boxes M8

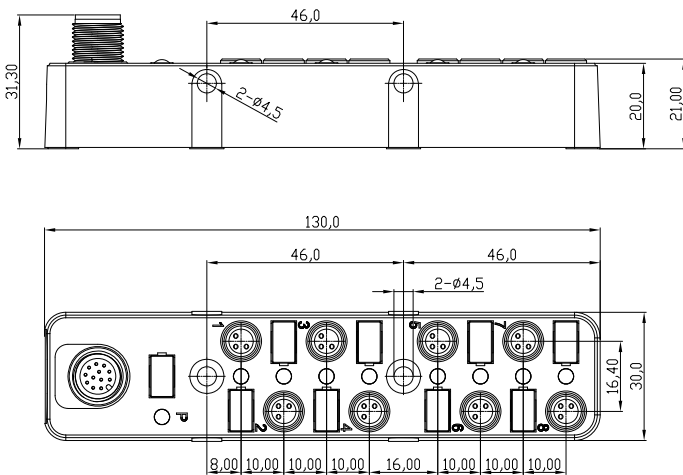


Passive distribution box M8, 8-port, single signal, with LEDs, IP67

Main connection:

M12

M8 5012 08L1



Environmental conditions

Temperature range -40 °C/+80 °C

Materials

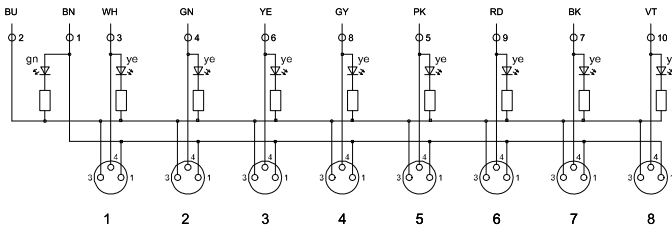
Insulating body PA, V-2 according to UL94
 Contact CuZn, pre-nickel and gold-plated
 Connector thread CuZn, nickel-plated
 Housing PC/ABS
 Resistance Good resistance against chemicals and oils. Resistance against aggressive media to be individually verified for each application.

Mechanical data

Protection class IP67¹

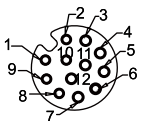
¹ according to DIN EN 60529, only in locked position with proper counterparts or protective caps

Wiring diagram

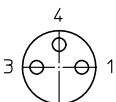


Electrical data (at T_{amb} 20 °C)

Contact resistance ≤ 5 mΩ
 Nominal current ≤ 1.5 A per port
 ≤ 1.5 A total
 Nominal voltage 10–30 V DC (24 V DC)



Pin assignment of female M8 connectors



3 pole
 1 +
 3 -
 4 S1

Associated products

Counterparts
 ☞ 0810 ... 0... ☞ 0810 ... 3... ☞ 0810 0800 ... 0...
 ☞ 0810 0800 ... 3... ☞ 0810 0805 ... 3... ☞ 0810 0806 ... L1 3...
 ☞ 0815 ... 0... ☞ 0815 ... 3... ☞ 1200 ... 3...
 ☞ 1205 ... 3...

Accessories
 ☞ 9908 CPF0 ☞ 9912 CPM0 ☞ 9950 LB PF20

M8 5012 08L1

Designation	Pole Number	PU (Pieces)	MDQ (Pieces)
5012 08L1	8 x 3	1	1

Packaging:

in a cardboard box