

M8 5012 10L1

Passive Actuator/Sensor Distribution Boxes M8

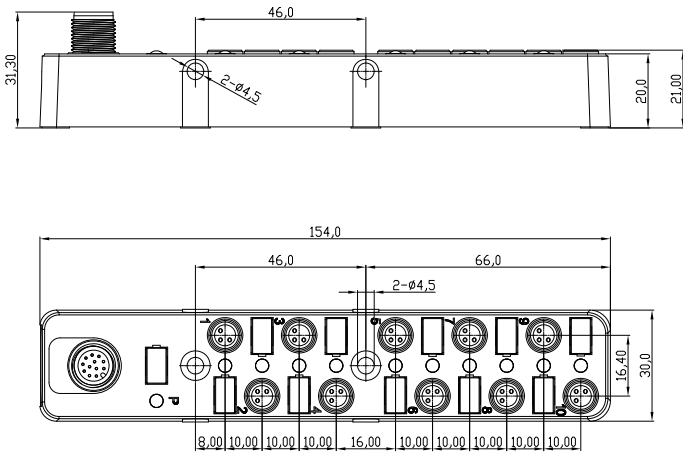


Passive distribution box M8, 10-port, single signal, with LEDs, IP67

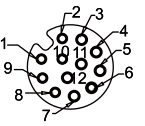
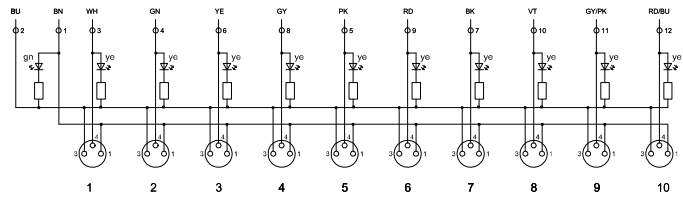
Main connection:

M12

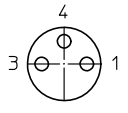
M8 5012 10L1



Wiring diagram



Pin assignment of female M12 connectors



3 pole
1 +
3 -
4 S1

Environmental conditions

Temperature range -40 °C/+80 °C

Materials

Insulating body	PA, V-2 according to UL94
Contact	CuZn, pre-nickel and gold-plated
Connector thread	CuZn, nickel-plated
Housing	PC/ABS
Resistance	Good resistance against chemicals and oils. Resistance against aggressive media to be individually verified for each application.

Mechanical data

Protection class IP67¹

¹ according to DIN EN 60529, only in locked position with proper counterparts or protective caps

Electrical data (at T_{amb} 20 °C)

Contact resistance	≤ 5 mΩ
Nominal current	≤ 1.5 A per port ≤ 1.5 A total
Nominal voltage	10–30 V DC (24 V DC)

Associated products

Counterparts

☞ 0810 ... 0...	☞ 0810 ... 3...	☞ 0810 0800 ... 0...
☞ 0810 0800 ... 3...	☞ 0810 0805 ... 3...	☞ 0810 0806 ... L1 3...
☞ 0815 ... 0...	☞ 0815 ... 3...	☞ 1200 ... 3...
☞ 1205 ... 3...		

Accessories

☞ 9908 CPF0	☞ 9912 CPM0	☞ 9950 LB PF20
-------------	-------------	----------------

M8

5012 10L1

Designation	Pole Number	PU (Pieces)	MDQ (Pieces)
5012 10L1	10 x 3	1	1

Packaging:
in a cardboard box