

M12 5500 04L1 3...

Passive Actuator/Sensor Distribution Boxes M12

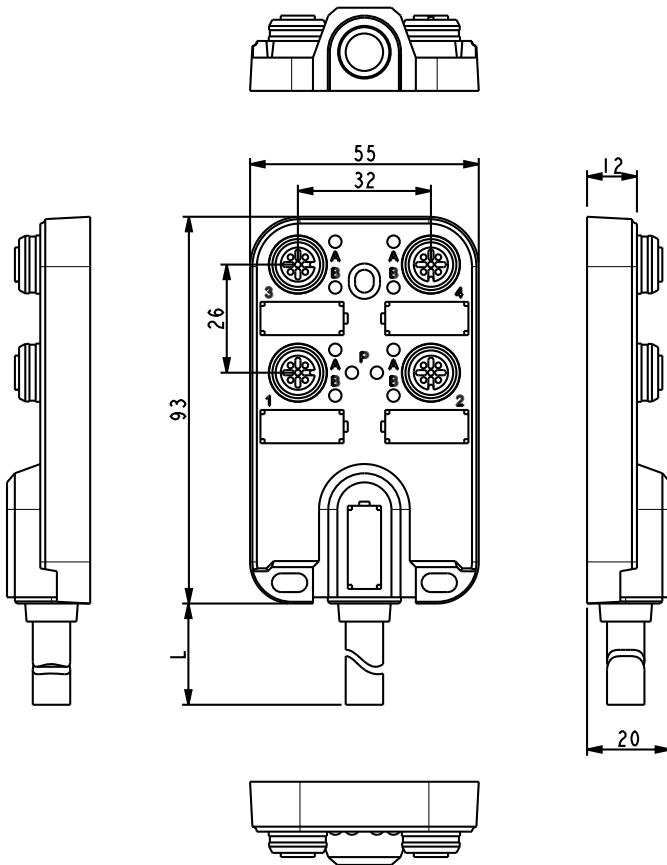


Passive distribution box M12, 4-port, single signal, with LEDs, IP67

Main connection:
cable, PUR, grey

M12

5500 04L1 3...



Environmental conditions

Temperature range -40 °C/+80 °C

Materials

Insulating body	PA, V-2 according to UL94
Contact	CuZn, pre-nickel and gold-plated
Connector thread	CuZn, nickel-plated
Housing	PC/ABS
Resistance	Good resistance against chemicals and oils. Resistance against aggressive media to be individually verified for each application.

Mechanical data

Protection class IP67¹

¹ according to DIN EN 60529, only in locked position with proper counterparts or protective caps

Electrical data (at T_{amb} 20 °C)

Contact resistance	≤ 5 mΩ
Nominal current	≤ 2 A per port ≤ 8 A total
Nominal voltage	10–30 V DC (24 V DC)

Associated products

Counterparts

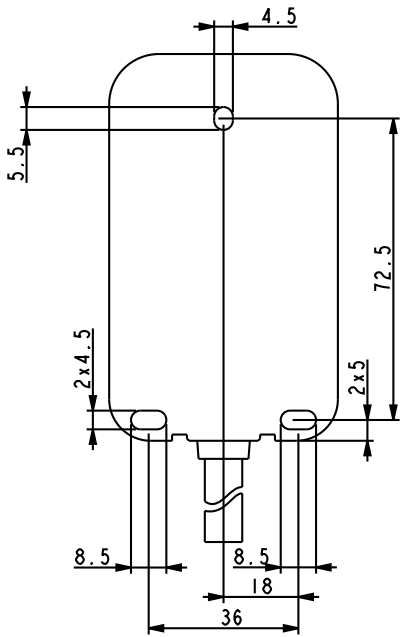
☞ 1210 ... 0...	☞ 1210 ... 3...	☞ 1210 0800 ... 3...
☞ 1210 0806 ... L1 3...	☞ 1210 1200 ... 0...	☞ 1210 1200 ... 3...
☞ 1210 1205 ... 3...	☞ 1210 1206 ... L1 0...	☞ 1210 1206 ... L1 3...
☞ 1210 1206 ... L2 0...	☞ 1210 1206 ... L2 3...	☞ 1250 ... T...CR
☞ 1255 ... T9CR		

Accessories

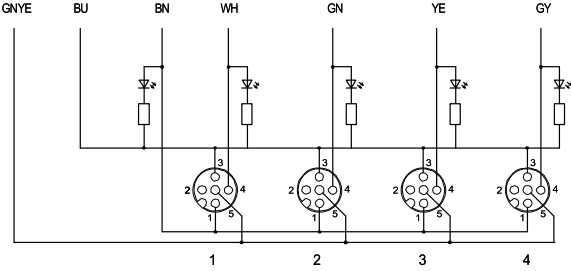
☞ 9912 CPFO	☞ 9955 LB PF24
-------------	----------------

M12

5500 04L1 3...



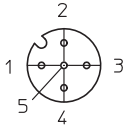
Wiring diagram



M12

5500 04L1 3...

Pin assignment of female M12 connectors



4 pole

- 1 +
- 2 not con.
- 3 -
- 4 S1
- 5 not con.

M12

5500 04L1 3...

Designation	Pole Number	Connected Cable	PU (Pieces)	MDQ (Pieces)	Dimensions L (mm)
5500 04L1 311 5m	4 x 4	PUR, grey, 4 x 0.34 mm ² (AWG 22)/3 x 0.75 mm ² (AWG 20), 910311, UL-style 20549	1	1	5000
5500 04L1 311 10m	4 x 4	PUR, grey, 4 x 0.34 mm ² (AWG 22)/3 x 0.75 mm ² (AWG 20), 910311, UL-style 20549	1	1	10000

Packaging:
in a plastic bag