

M12 5500 08DL1 3...

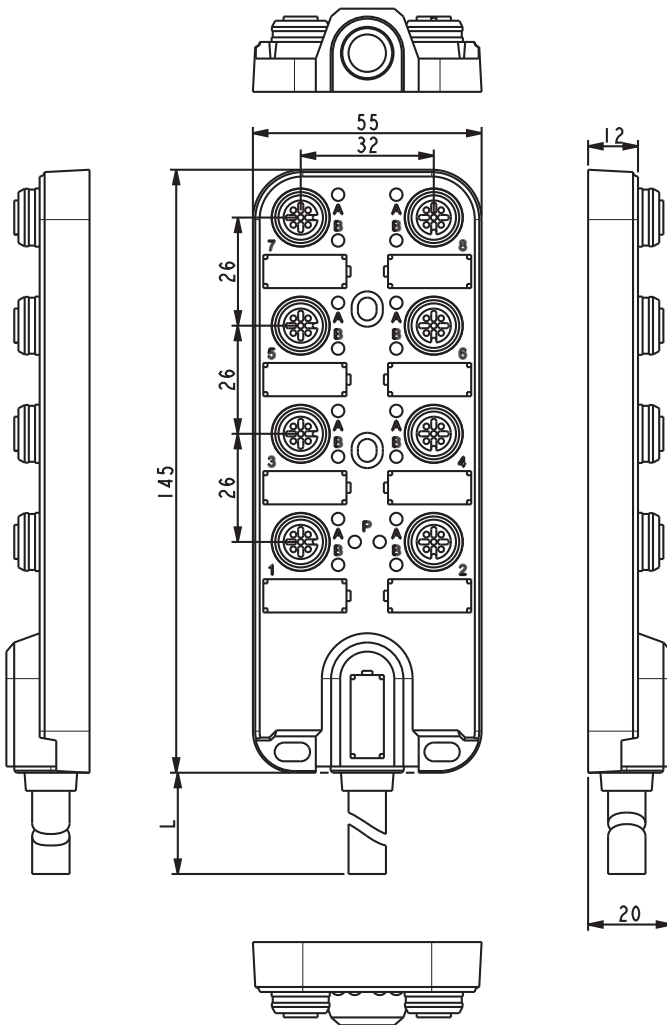
Passive Actuator/Sensor Distribution Boxes M12



Passive distribution box M12, 8-port, double signal, with LEDs, IP67

Main connection:
cable, PUR, grey

M12 5500 08DL1 3...



Environmental conditions

Temperature range -40 °C/+80 °C

Materials

Insulating body PA, V-2 according to UL94
 Contact CuZn, pre-nickel and gold-plated
 Connector thread CuZn, nickel-plated
 Housing PC/ABS
 Resistance Good resistance against chemicals and oils. Resistance against aggressive media to be individually verified for each application.

Mechanical data

Protection class IP67¹

¹ according to DIN EN 60529, only in locked position with proper counterparts or protective caps

Electrical data (at T_{amb} 20 °C)

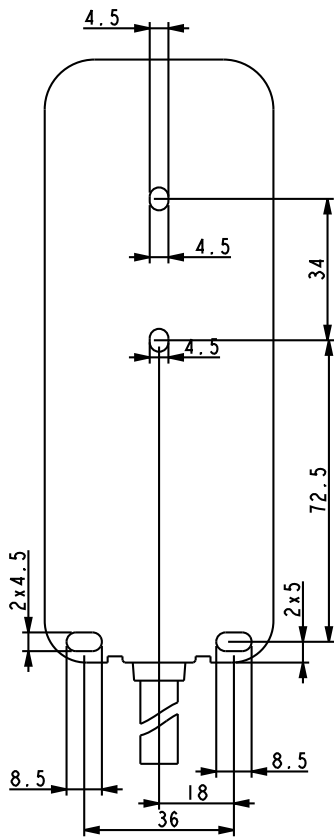
Contact resistance ≤ 5 mΩ
 Nominal current ≤ 2 A per port
 ≤ 8 A total
 Nominal voltage 10–30 V DC (24 V DC)

Associated products

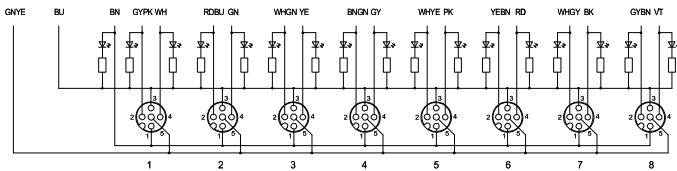
Counterparts
 ☞ 1210 ... 0... ☞ 1210 ... 3... ☞ 1210 0800 ... 3...
 ☞ 1210 0806 ... L1 3... ☞ 1210 1200 ... 0... ☞ 1210 1200 ... 3...
 ☞ 1210 1205 ... 3... ☞ 1210 1206 ... L1 0... ☞ 1210 1206 ... L1 3...
 ☞ 1210 1206 ... L2 0... ☞ 1210 1206 ... L2 3... ☞ 1250 ... T...CR
 ☞ 1255 ... T9CR

Accessories
 ☞ 9912 CPFO ☞ 9955 LB PF24

M12 5500 08DL1 3...

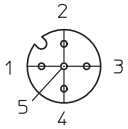


Wiring diagram



M12 5500 08DL1 3...

Pin assignment of female M12 connectors



- 5 pole
- 1 +
- 2 S2
- 3 -
- 4 S1
- 5 not con.

M12 **5500 08DL1 3...**

Designation	Pole Number	Connected Cable	PU (Pieces)	MDQ (Pieces)	Dimensions L (mm)
5500 08DL1 313 5m	8 x 5	PUR, grey, 16 x 0.34 mm ² (AWG 22)/3 x 0.75 mm ² (AWG 20), 910313, UL-style 20549	1	1	5000
5500 08DL1 313 10m	8 x 5	PUR, grey, 16 x 0.34 mm ² (AWG 22)/3 x 0.75 mm ² (AWG 20), 910313, UL-style 20549	1	1	10000

Packaging:
in a plastic bag