

M12 5512 04L1

Passive Actuator/Sensor Distribution Boxes M12

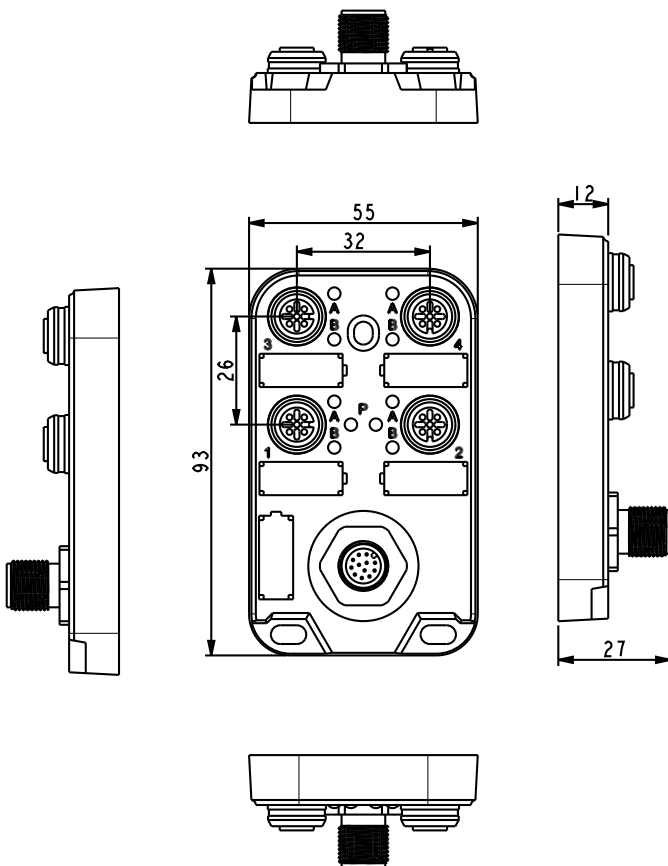


Passive distribution box M12, 4-port, single signal, with LEDs, IP67

**Main connection:**

M12

**M12 5512 04L1**



**Environmental conditions**

Temperature range -40 °C/+80 °C

**Materials**

Insulating body	PA, V-2 according to UL94
Contact	CuZn, pre-nickel and tin-plated
Connector thread	CuZn, nickel-plated
Housing	PC/ABS
Resistance	Good resistance against chemicals and oils. Resistance against aggressive media to be individually verified for each application.

**Mechanical data**

Protection class IP67<sup>1</sup>

<sup>1</sup> according to DIN EN 60529, only in locked position with proper counterparts or protective caps

**Electrical data (at T<sub>amb</sub> 20 °C)**

Contact resistance	≤ 5 mΩ
Nominal current	≤ 1.5 A per port ≤ 4.5 A total
Nominal voltage	10–30 V DC (24 V DC)

**Associated products**

Counterparts

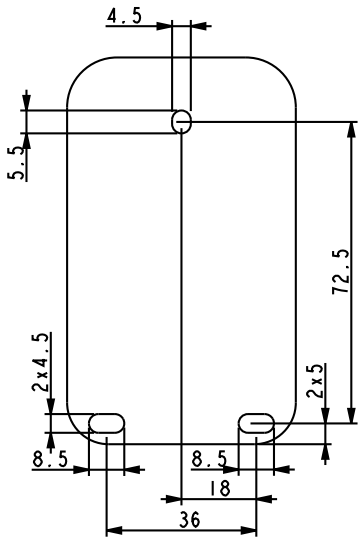
☞ 1200 ... 3...	☞ 1205 ... 3...	☞ 1210 ... 0...
☞ 1210 ... 3...	☞ 1210 0800 ... 3...	☞ 1210 0806 ... L1 3...
☞ 1210 1200 ... 0...	☞ 1210 1200 ... 3...	☞ 1210 1205 ... 3...
☞ 1210 1206 ... L1 0...	☞ 1210 1206 ... L1 3...	☞ 1210 1206 ... L2 0...
☞ 1210 1206 ... L2 3...	☞ 1250 ... T...CR	☞ 1255 ... T9CR

Accessories

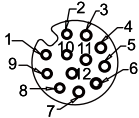
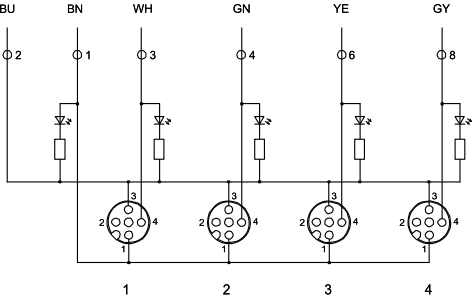
☞ 9912 CPF0	☞ 9912 CPM0	☞ 9955 LB PF24
-------------	-------------	----------------

M12

5512 04L1



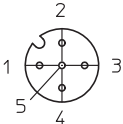
Wiring diagram



M12

5512 04L1

Pin assignment of female M12 connectors



- 4 pole
- 1 +
- 2 not con.
- 3 -
- 4 S1
- 5 not con.

M12 5512 04L1

Designation	Pole Number	PU (Pieces)	MDQ (Pieces)	Dimensions L (mm)
5512 04L1	4 x 4	1	1	-

**Packaging:**  
in a cardboard box