

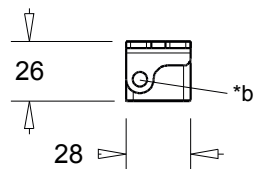
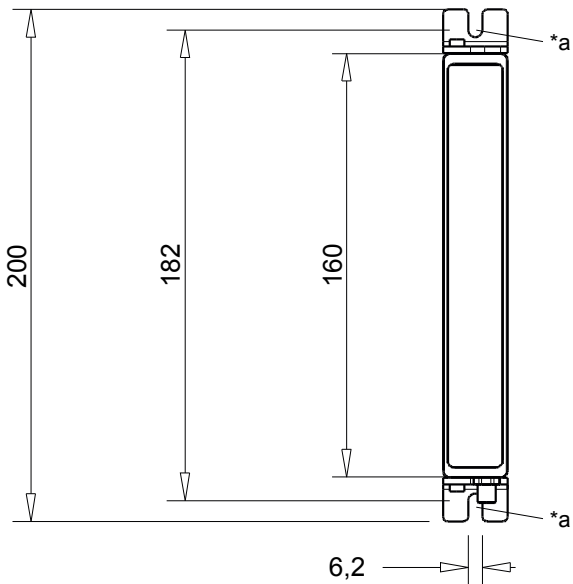
61 6157 8055 S01 4W

Machine Lights



Linear LED light, 4 W, 160 mm length, with solid aluminum housing and frosted tempered glass, IP67, with male M8 connector

61 6157 8055 S01 4W



Environmental conditions

Temperature range ≤ 50 °C

Materials

Housing aluminum, anodized
Lamp cover tempered glass, frosted

Mechanical data

Protection class IP67
Weight ca. 180 g

Electrical data (at T_{amb} 20 °C)

Power consumption 4 W
Connected load 24 V DC (-10 %/+15 %)
Nominal current 0.17 A
Appliance class III

Lighting data

Illuminant LED, energy efficiency class A+
Luminaire luminous flux ca. 420 lm
Luminaire luminous efficacy ca. 105 lm/W
Light color daylight white
Color temperature ca. 5500 K
Color rendering index > 80
Light distribution direct, wide radiation, > 120°

Associated products

Counterparts

☞ 0800 ... 0...	☞ 0800 ... 3...	☞ 0800F1 ... 0...
☞ 0800F1 ... 3...	☞ 0805 ... 0...	☞ 0805 ... 3...
☞ 0805F1 ... 0...	☞ 0810 0800 ... 0...	☞ 0810 0800 ... 3...
☞ 0810 0805 ... 3...	☞ 1210 0800 ... 3...	

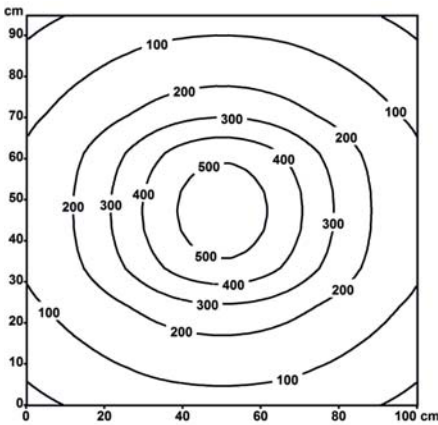
Accessories

☞ 9908 CPM0

61 6157 8055 S01 4W

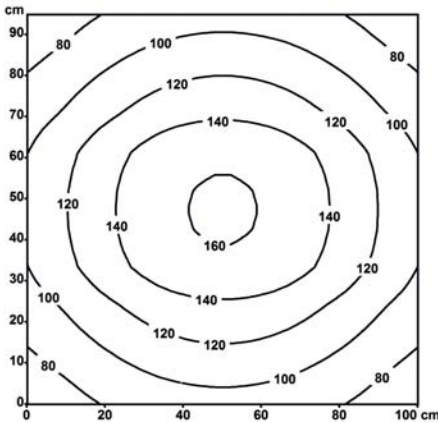
Illuminance with measuring distance 50 cm

Em: 206 lx
Emax: 561 lx
Emin: 47 lx



Illuminance with measuring distance 100 cm

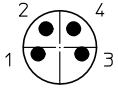
Em: 117 lx
Emax: 163 lx
Emin: 68 lx



61

6157 8055 S01 4W

Pin assignment for male M8 connector, A-coded, front view



4 pole

- 1 DC (+)
- 2 not connected
- 3 DC (-)
- 4 not connected

*a for fixation by means of screws M5 or M6, max. bolt head diameter 12 mm

*b hinged fixation, screw with hexagon socket 2.5 mm

61 6157 8055 S01 4W

Designation	Pole Number	PU (Pieces)	MDQ (Pieces)
6157 8055 S01 4W	-	1	1

Packaging:

in a cardboard box